

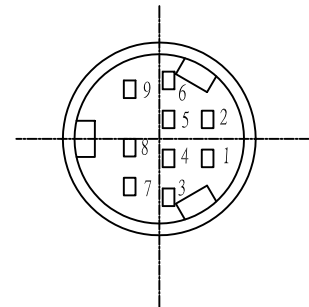
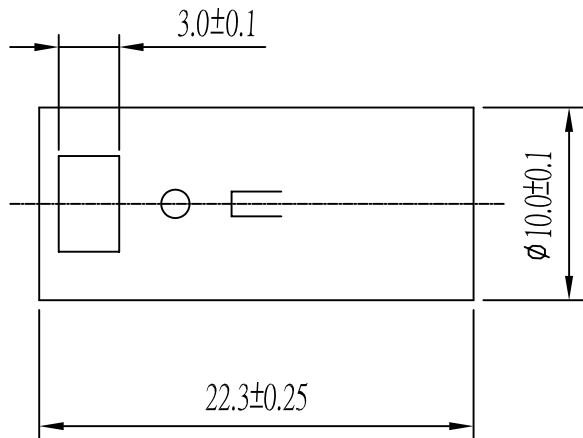
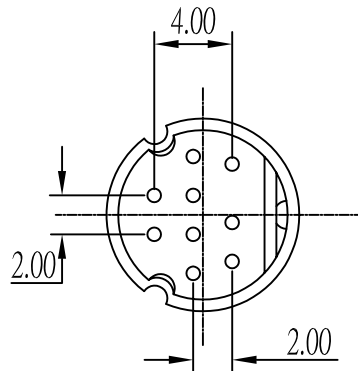
Note:

1.Material:

- 1.1 Insulator: High temperature thermoplastic with g.f,UL94v-0
- 1.2 Contact: Copper alloy,t=0.60mm
- 1.3 Shell: Spcc,t=0.40mm

2.Specification:

- 2.1 Current rating: 1 A Max.
- 2.2 Dielectric withstanding voltage: 750 V(ac) for 1 min.
- 2.3 Contact resistance: 30 mΩ Max.
- 2.4 Insulation resistance: 1000 MΩ Min.
- 2.5 Total mating force: 5.0 Kgf Max.
- 2.6 Total unmating force: 2.0 Kgf Min.
- 2.7 Temperature range: -55°C~85°C



RoHS Compliant

TOLERANCES ARE

MORETHANALL
PCB CONNECTORS
Cable ASSEMBLIES

煜倫股份有限公司

www.morethanall.com

DRAWING BY CY

CHECKED BY GENIUS

UNIT / mm

SCALE 1 : 1

DATE

SIZE A4

X, ±

.X ±

.XX ±

.XXX ±

ANG ±

P PROJECTION

照片框

ORDER INFORMATION

MDS-PL-09-LF
SERIES | LEADFREE
| 09 WAY
| LONG TUBE
MALE

DESCRIPTION: MINI DIN SOLDER 9PIN TYPE(M)長銅管