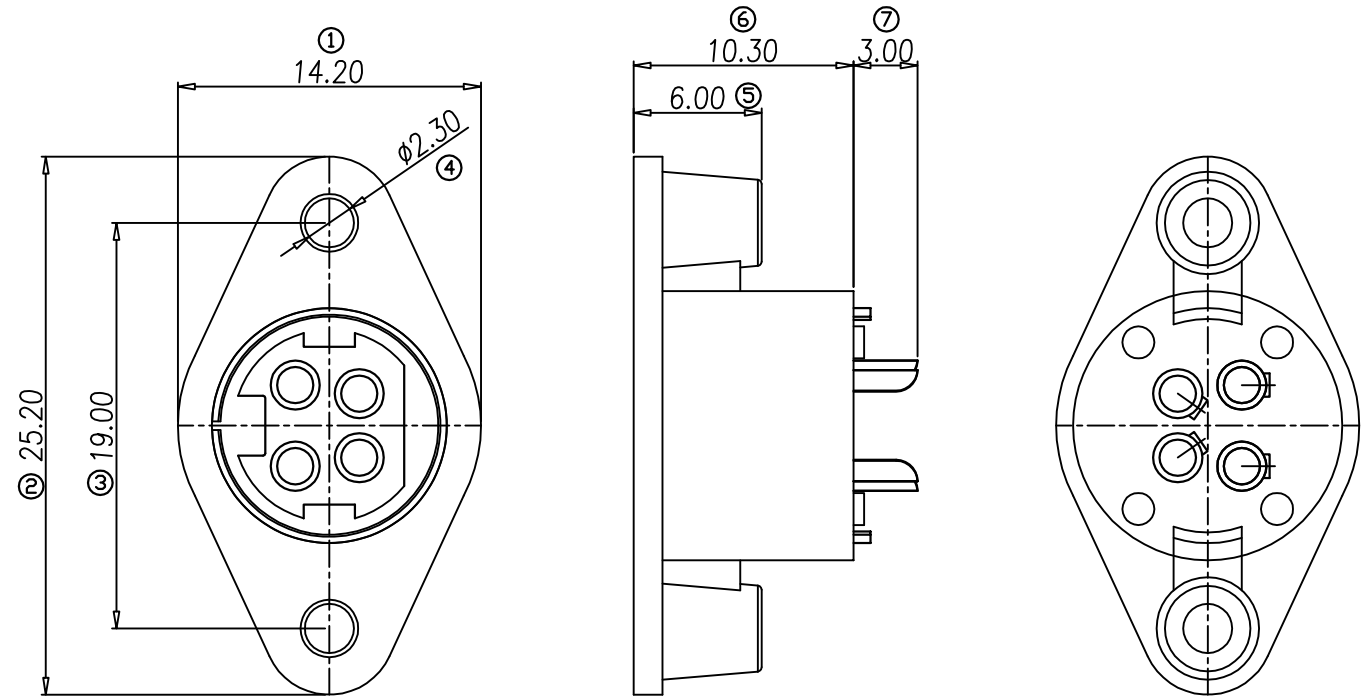
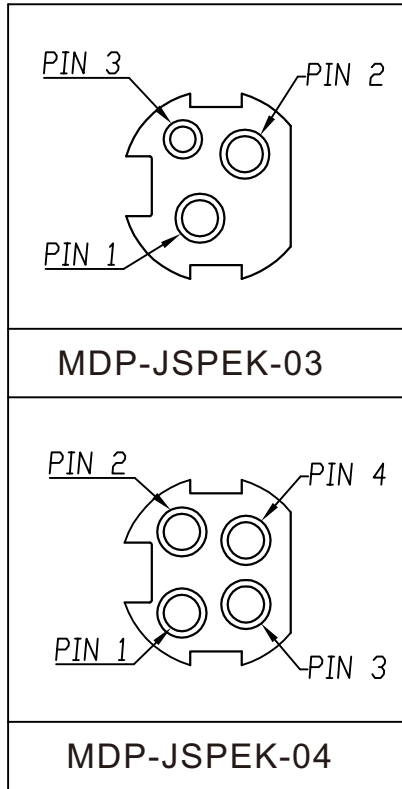


TABLE A



NOTE:

1.MATERIAL:

- 1-1. HOUSING : PBT UL94V-0 ; COLOR : BLACK
- 1-2. CONTACT : PHOSPHOR BRONZE
- 1-3. SHELL : BRASS

2.PLATING:

- 2-1. CONTACT : TIN PLATED 60u" OVER NICKEL
- 2-2. SHELL : NICKEL PLATED 60u" ~ 100u" OVER ALL

3.ELETRICAL SPECICATION :

- 3-1. RATED CURRENT : 7.5A/DC For All Pins..
- 3-2. RATED VOLTAGE : 48V DC For All Pins.

4. ENVIRONMENTAL :

- 4-1. OPERATION TEMPERATURE : -20 ℃~85℃

RoHS Compliant

TOLERANCES ARE



煜倫股份有限公司

www.morethanall.com

DRAWING BY CY

CHECKED BY GENIUS

UNIT / mm SCALE 1 : 1

DATE

SIZE A4

X, ±
.X ± 0.25
.XX ± 0.15
.XXX ± 0.10
ANG ± 1°

PJECTION

照片框

ORDER INFORMATION

MDP-JSPEK-xx-LF
SERIES | | | LEADFREE
| | | 03.04 WAY
| | | BLACK
| | | PANEL EAR
| | | SOLDER
| | | JACK

DESCRIPTION: POWER DIN 4(F) SOCKET (Rotate 180°) 全線型