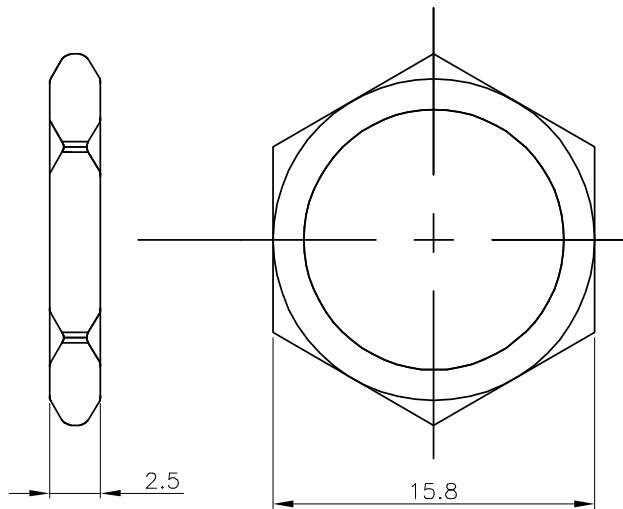
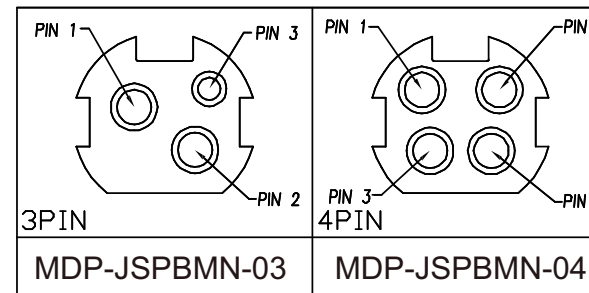


PANEL CUT-OUT



④ SCREW



4	SCREW	1	BRASS	Ni	PLATED
3	SHELL	1	BRASS	Ni	PLATED
2	CONTACT FOOT	3or4	PHOSPHOR BRONZE	Sn	PLATED
1	HOUSING	1	PBT		BLACK
LTR	PART NAME	QTY	MATERIAL	REMARK	

UNLESS OTHERWISE SPECIFIED, TOLERANCE ON DECIMAL: ±0.3

RoHS Compliant

TOLERANCES ARE

**MORETHANALL**  
PCB CONNECTORS  
Cable ASSEMBLIES

DRAWING BY CY

X.±

CHECKED BY GENIUS

.X±

UNIT / mm

SCALE 1 : 1

.XX±

DATE

.XXX±

ANG±

SIZE A4

PPOJECTION



ORDER INFORMATION

MDP-JSPBMN-xx-LF  
SERIES | | | | LEADFREE  
| | | | 03.04 WAY  
| | | | NUT  
| | | | METAL  
| | | | PANEL BACK  
| | | | SOLDER  
JACK

煜倫股份有限公司

www.morethanall.com

DESCRIPTION: POWER DIN SOCKET