

T:1.6 Dimensions of PC board holes  
Tolerance : ±0.05(Printed-Bottom view)

4	TERMINAL	2	C2680	t=0.4	Ag	PLATED
3	TERMINAL	2	C2680	t=0.4	Ag	PLATED
2	GROUND CONTACT	1	C2680	t=0.4	Cu/Sn	PLATED
1	HOUSING	1	PA9T			UL-94V0
LTR	PART NAME	QTY	MATERIAL			REMARK

UNLESS OTHERWISE SPECIFIED, TOLERANCE ON DECIMAL: ±0.3

RoHS Compliant

TOLERANCES ARE

**MORETHANALL**  
PCB CONNECTORS  
Cable ASSEMBLIES

DRAWING BY CY

X.±

CHECKED BY GENIUS

.X±

UNIT / mm

SCALE 1 : 1

.XXX±

DATE

ANG±

SIZE A4

PJECTION

照片框

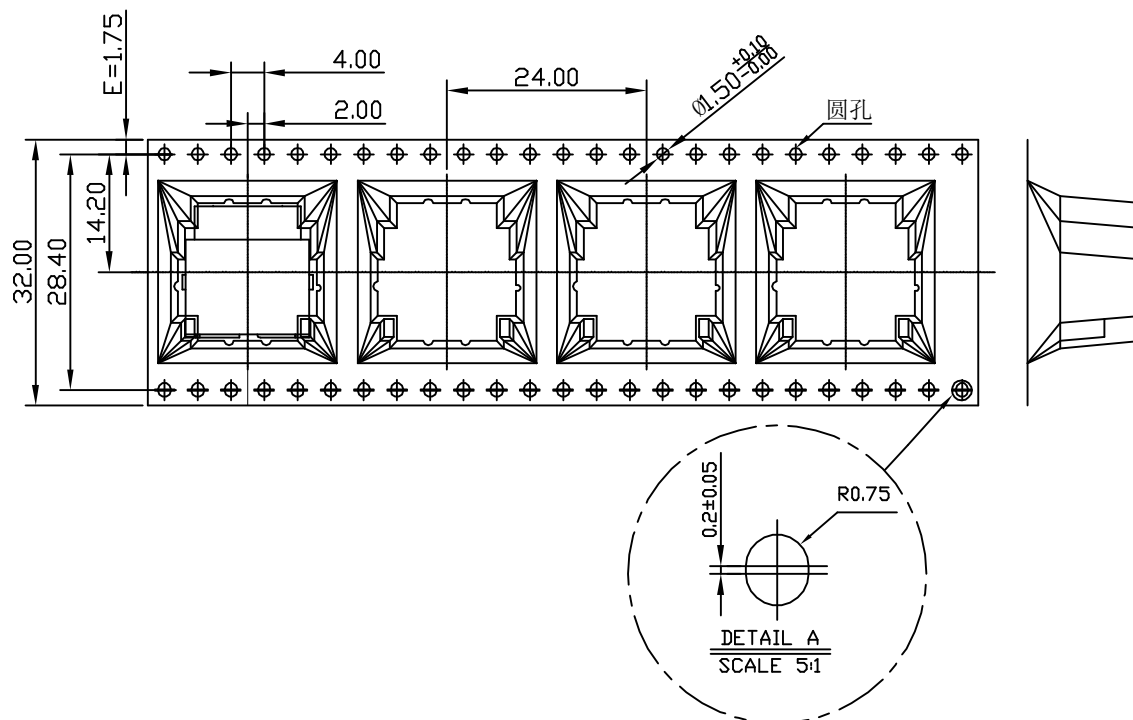
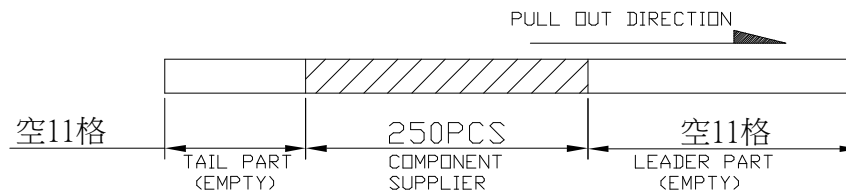
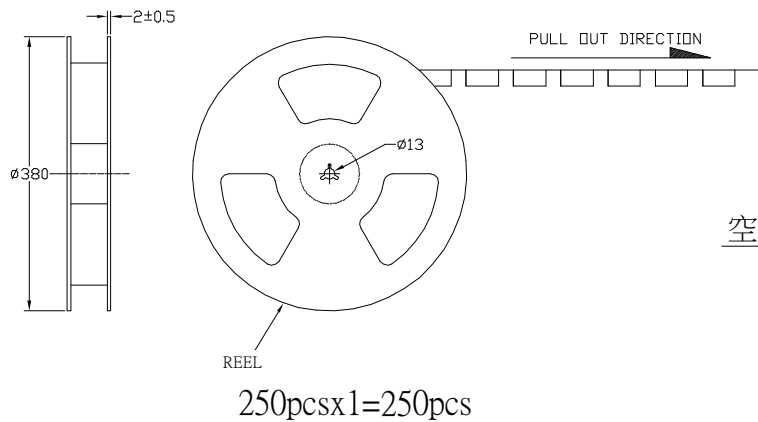
ORDER INFORMATION

MDP-JRSFM2R-04-LF  
SERIES | | | | LEADFREE  
| | | | 04WAY  
| | | | REEL  
| | | | METAL FOOT X2  
JACK | | | | OFFSET  
DIP 90° | | | | PLASTIC BODY

DESCRIPTION: POWER JACK QUICK LOCK

煜倫股份有限公司

www.morethanall.com



RoHS Compliant

TOLERANCES ARE

**MORETHANALL**  
PCB CONNECTORS  
Cable ASSEMBLIES

煜倫股份有限公司

www.morethanall.com

DRAWING BY CY

CHECKED BY GENIUS

UNIT / mm

SCALE 1:1

DATE

SIZE A4

X, ±

.X ±

.XX ±

.XXX ±

ANG ±

PPOJECTION

照片框

ORDER INFORMATION

MDP-JRSFM2R-04-LF  
SERIES | | | | LEADFREE  
| | | | 04WAY  
| | | | REEL  
| | | | METAL FOOT X2  
| | | | OFFSET  
JACK | | | | PLASTIC BODY  
DIP 90°

DESCRIPTION: POWER JACK QUICK LOCK