

T:1.6 Dimensions of PC board holes
Tolerance : ±0.05(Printed-Bottom view)

4	TERMINAL	2	C2680	t=0.4	Ag	PLATED
3	TERMINAL	2	C2680	t=0.4	Ag	PLATED
2	GROUND CONTACT	1	C2680	t=0.4	Cu/Sn	PLATED
1	HOUSING	1	PA9T			UL-94V0
LTR	PART NAME	QTY	MATERIAL			REMARK

UNLESS OTHERWISE SPECIFIED, TOLERANCE ON DECIMAL: ±0.3

RoHS Compliant

TOLERANCES ARE

MORETHANALL
PCB CONNECTORS
Cable ASSEMBLIES

DRAWING BY CY

X.±

CHECKED BY GENIUS

.X±

UNIT/mm

SCALE 1:1

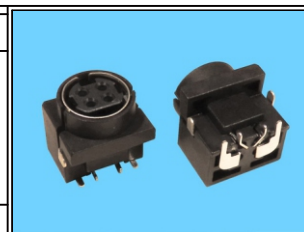
.XXX±

DATE

ANG±

SIZE A4

PJECTION



ORDER INFORMATION

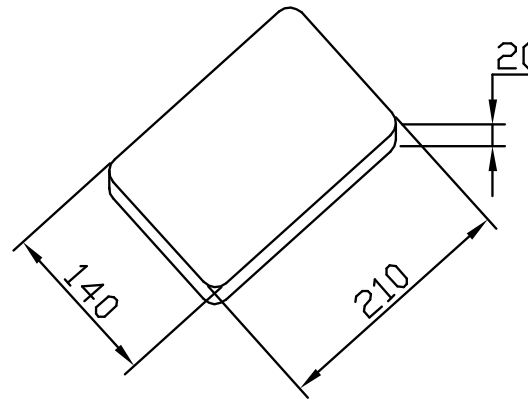
MDP-JRSFM2-04-LF
SERIES | | | | LEADFREE
| | | | 04WAY
| | | | METAL FOOT X2
| | | | OFFSET
JACK | | | | PLASTIC BODY
DIP 90°

DESCRIPTION: POWER JACK QUICK LOCK

煜倫股份有限公司

www.morethanall.com

一 塑膠盒
= 70pcs/盒



RoHS Compliant

TOLERANCES ARE

MORETHANALL
PCB CONNECTORS
Cable ASSEMBLIES

煜倫股份有限公司

www.morethanall.com

DRAWING BY CY

CHECKED BY GENIUS

UNIT / mm

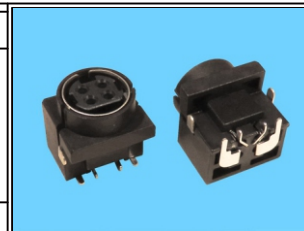
SCALE 1:1

DATE

SIZE A4

X. ±
.X ±
.XX ±
.XXX ±
ANG ±

PJECTION



ORDER INFORMATION

MDP-JRSFM2-04-LF
SERIES | | | | LEADFREE
| | | | 04WAY
| | | | METAL FOOT X2
| | | | OFFSET
JACK | PLASTIC BODY
DIP 90°

DESCRIPTION: POWER JACK QUICK LOCK