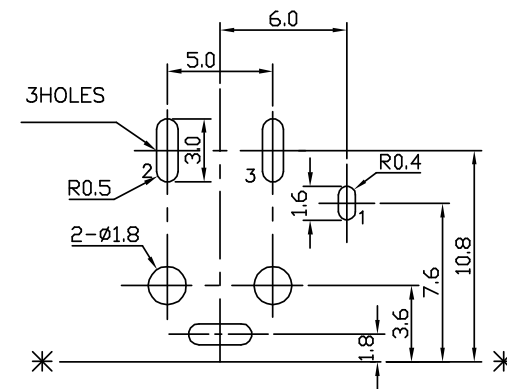
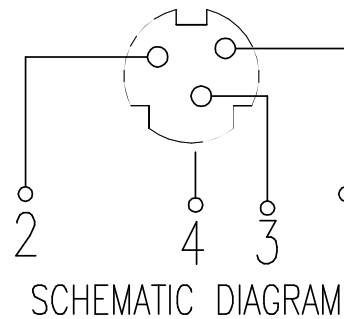
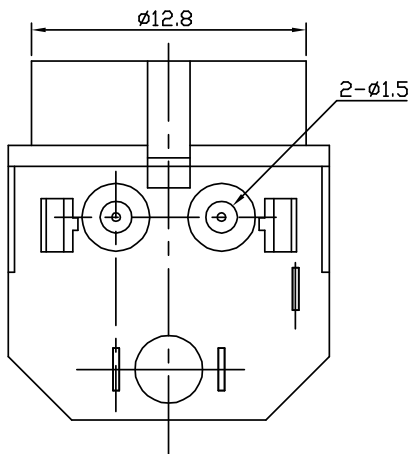


Contact Rating:
 #2,#3:7.5A. 20VDC
 #1:1.0A. 20VDC



T:1.6 Dimensions of PC board holes
 Tolerance : ±0.05(Printed-Top view)



5	TERMINAL	1	C5191	t=0.4	Sn	PLATED
4	GROUND CONTACT	1	C2680	t=0.35	Cu/Sn	PLATED
3	TERMINAL	2	C2680	t=0.3	Sn	PLATED
2	COVER	1	PBT 4815			UL-94V0(BLACK)
1	HOUSING	1	PBT 4815			UL-94V0(BLACK)
LTR	PART NAME	QTY	MATERIAL			REMARK

UNLESS OTHERWISE SPECIFIED, TOLERANCE ON DECIMAL: ±0.3

RoHS Compliant

TOLERANCES ARE

MORETHANALL
 PCB CONNECTORS
 Cable ASSEMBLIES

煜倫股份有限公司

www.morethanall.com

DRAWING BY CY

CHECKED BY GENIUS

UNIT/mm SCALE 1:1

DATE

SIZE A4

X. ±
 .X ±
 .XX ±
 .XXX ±
 ANG ±

PJECTION



ORDER INFORMATION

MDP-JRS-03-LF
 SERIES | | | LEADFREE
 | | | 03WAY
 | | | PLASTIC BODY
 | | | DIP 90°
 | | | JACK

DESCRIPTION: POWER JACK QUICK LOCK