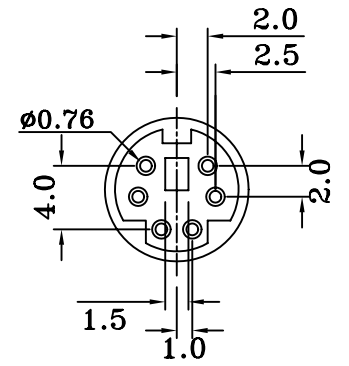
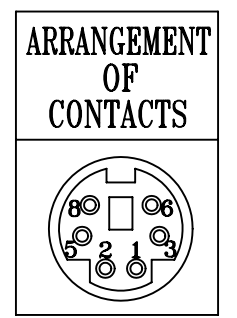
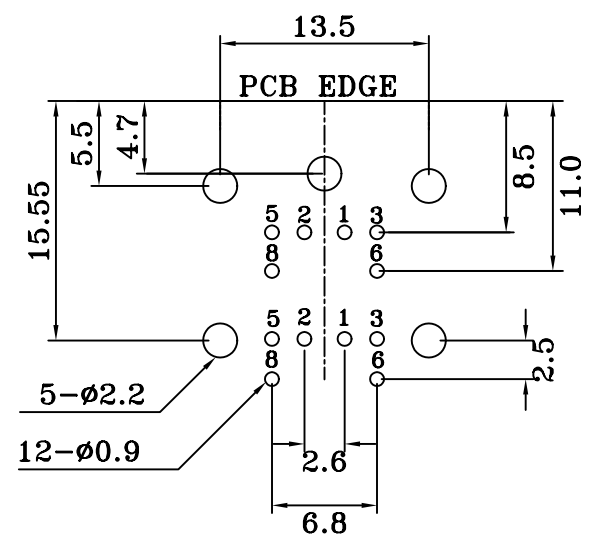
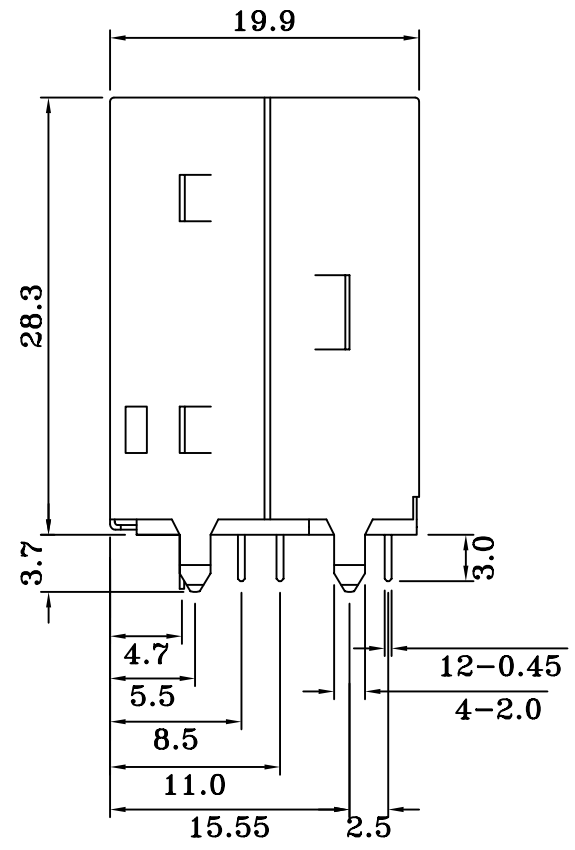
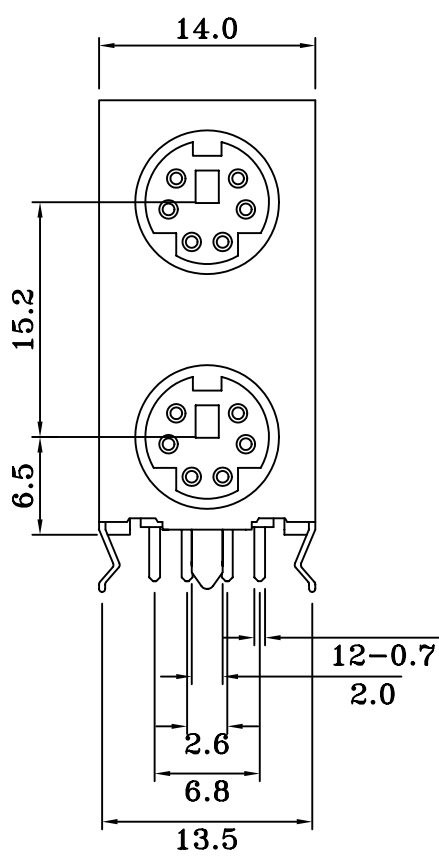


1 2 3 4 5 6 7 8 9 10

J  
I  
H  
G  
F  
E  
D  
C  
B  
A



NO.	NAME	MATERIAL	FINISH	REMARK	Q'TY
1	TOP HOUSING	P.B.T.	BLACK		1
2	BOTTOM HOUSING	P.B.T.	BLACK		1
3	BACK COVER	P.B.T.	BLACK		1
4	CONTACT TERM.	PHOS. BRONZE	GOLD/TIN PLATED	NI:1~1.5u; TIN:3u GOLD:1~3u	12
5	FRONT SHIELD	BRASS	TIN/LEAD PLATED	TIN/LEAD:3~5u	1
6	BACK SHIELD	BRASS	TIN/LEAD PLATED	TIN/LEAD:3~5u	1

**MORETHANALL**  
CONNECTORS  
ASSEMBLIES

PART NO. MDJB1-F-06

DWG NO. MDJB1-F-06

CHECKED BY CY

FILE NO.

DRAWING BY

TOLERANCES ARE  
X ±0.3  
.XX  
.XXX  
AWG

DESCRIPTION: **SHIELDED DOUBLE MINI DIN**

焯倫有限公司

UNIT / mm

SCALE 1:1

PROJECTION

AREA	REVISIONS	HK	DATE
------	-----------	----	------