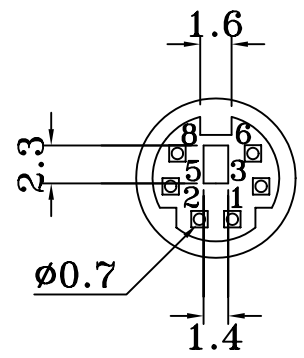
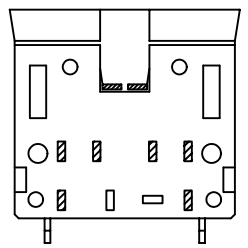
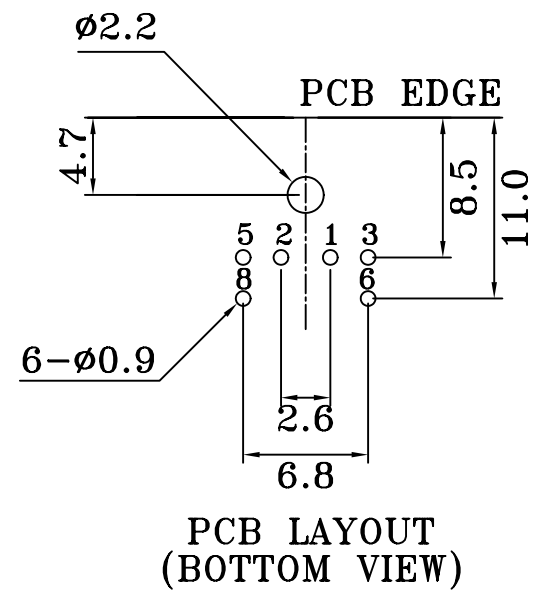
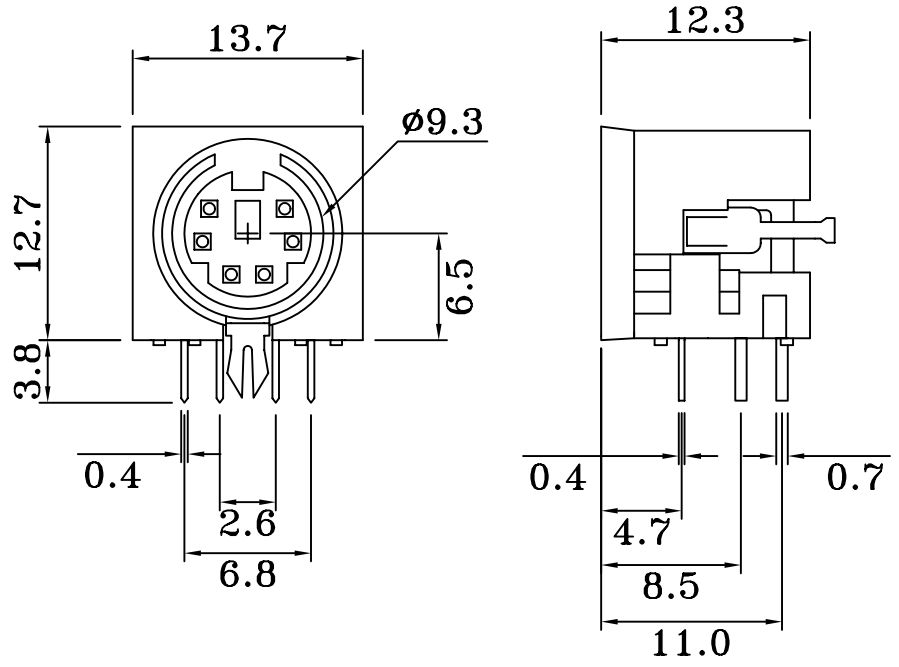


1 2 3 4 5 6 7 8 9 0

J
I
H
G
F
E
D
C
B
A



NO.	NAME	MATERIAL	FINISH	Q'TY
1	HOUSING	P.B.T.	BLACK	1
2	CONTACT	PHOS. BRONZE	TIN PLATED	6
3	GROUND	BRASS	TIN PLATED	1
4	BACK COVER	P.B.T.	BLACK	1

MORETHANALL
CONNECTORS
ASSEMBLIES

焯倫有限公司

PART NO. MDJ-SY-06		CHECKED BY CY		TOLERANCES ARE .X ± 0.3 .XX ± .XXX ± AWG		DESCRIPTION: MINI DIN JACK					
DWG NO. MDJ-SY-06		DRAWING BY									
FILE NO.		PROJECTION		AREA		REVISIONS		HK		DATE	
UNIT / mm		SCALE 1:1									