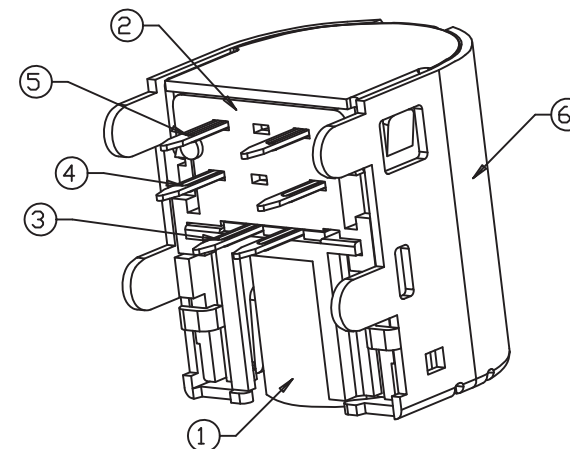
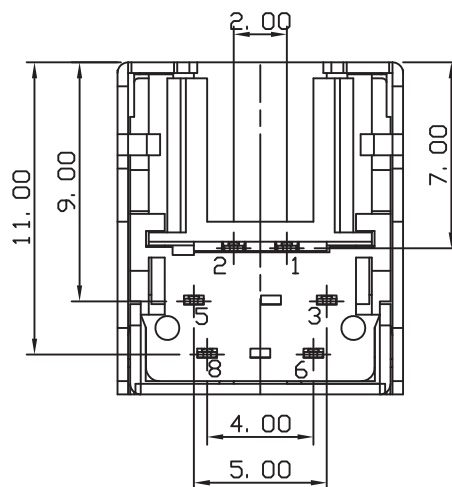


Recommended PCB Layout
< BOTTOM VIEW >



⑥	SHIELD	SPCC	Tin	1
⑤	CONTACT#6	PBS	Au/Tin	2
④	CONTACT#3	PBS	Au/Tin	2
③	CONTACT#1	PBS	Au/Tin	2
②	SPACER	PBT/PA9T		1
①	HOUSING	PBT/PA9T		1

RoHS Compliant

TOLERANCES ARE

MORETHANALL
PCB CONNECTORS
Cable ASSEMBLIES

DRAWING BY CY

X.±

CHECKED BY GENIUS

.X±

UNIT/mm

SCALE 1:1

.XXX±

DATE

ANG±

SIZE A4

PJECTION

照片框

ORDER INFORMATION

MDJ-FHR-06-LF
SERIES | LEADFREE
| 06 WAY
| HALF ROUND
| FULL METAL

煜倫股份有限公司

www.morethanall.com

DESCRIPTION: MINI-DIN JACK 6 PINS