

NOTE :

MATERIAL :

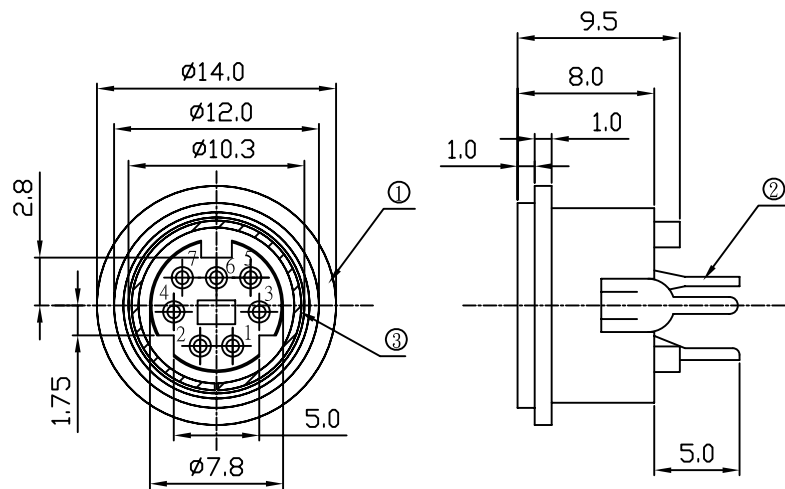
Body:PBT+15%GF UL94V-0
 Earth Terminal:BRASS H=0.4t
 Contact:PBR H=0.2t

PLATING :

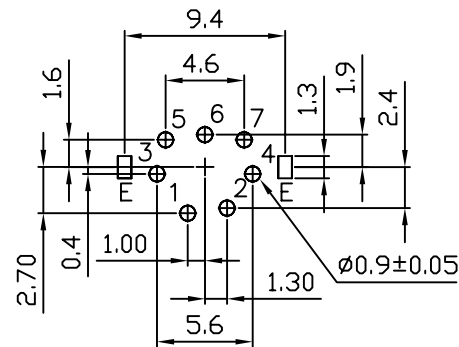
Earth Terminal:SN
 Contact: Sn

SPECIFICATIONS:

Rating:100V AC 1A MAX or 12V DC 2A MAX.
 Insulator Resistance:50mΩ MIN at 250V DC.
 Dielectric Strength:250V AC/1 minute
 Contact Resistance:30MΩ MAX.
 Insertion Force:4.5Kg Max
 Withdrawal Force:0.9Kg-3Kg



P.C.B HOLE LAYOUT



3	EARTH TERMINAL	1	BS H=0.4t SN PLATE
2	CONTACTOR	3-8	PBR H=0.2t Sn PLATE
1	BODY	1	PBT+15%GF UL94V-0
P/N	PART NAME	Q' TY	MATERIAL

RoHS Compliant

TOLERANCES ARE

MORETHANALL
 PCB CONNECTORS
 Cable ASSEMBLIES

煜倫股份有限公司

www.morethanall.com

DRAWING BY CY

CHECKED BY GENIUS

UNIT / mm SCALE 1 : 1

DATE

SIZE A4

X, ±
 .X ± 0.10
 .XX ± 0.05
 .XXX ±
 ANG ±

P PROJECTION

照片框

ORDER INFORMATION

MDD-S-xx-LF
 SERIES | LEADFREE
 03-08WAY
 FEMALE

DESCRIPTION: MINI DIN JACK