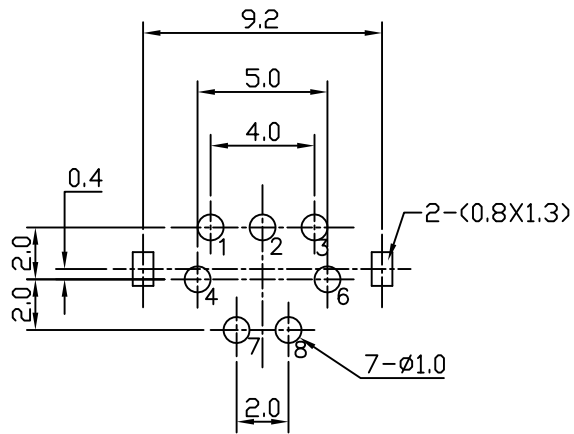
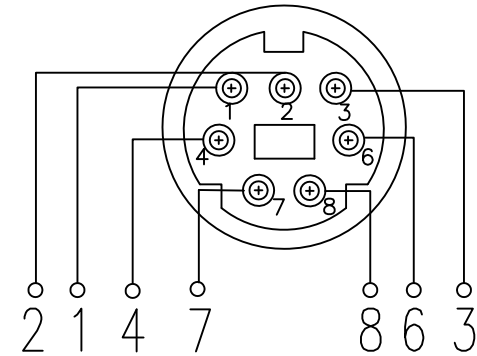


SCHEMATIC DIAGRAM



T:1.6 Dimensions of PC board holes
Tolerance : ±0.1(Printed-top view)

3	GROUND CONTACT	1	BRASS	MB:Cu	Cu/Sn	PLATED
2	CONTACT FOOT	8	BRONZE	MB:Cu	Ag	PLATED
1	HOUSING	1	PBT			
LTR	PART NAME	QTY	MATERIAL(THICK,COLOR)	REMARK		

UNLESS OTHERWISE SPECIFIED, TOLERANCE ON DECIMAL: ±0.3

RoHS Compliant

TOLERANCES ARE

MORETHANALL
PCB CONNECTORS
Cable ASSEMBLIES
煜倫股份有限公司
www.morethanall.com

DRAWING BY CY
CHECKED BY GENIUS
UNIT / mm SCALE 1 : 1
DATE
SIZE A4

X.±
.X±
.XX±
.XXX±
ANG±

PJECTION

照片框

ORDER INFORMATION

MDD-S-07-LF
SERIES | T LEADFREE
07WAY
FEMALE

DESCRIPTION: S JACK