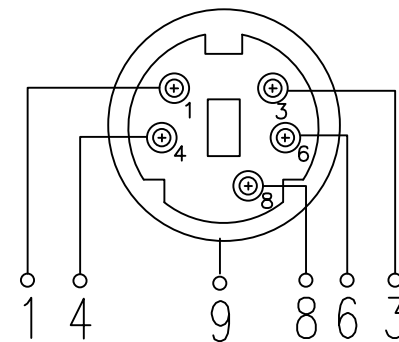


T:1.6 Dimensions of PC board holes
Tolerance : ±0.05(Printed-top view)



SCHEMATIC DIAGRAM

3	GROUND CONTACT	1	C2680	t=0.3	Cu/Sn	PLATED
2	CONTACT FOOT	5	C5191	t=0.2	Ag	PLATED
1	HOUSING	1	PBT 4815		UL-94V0(BLACK)	
LTR	PART NAME	QTY	MATERIAL		REMARK	

UNLESS OTHERWISE SPECIFIED, TOLERANCE ON DECIMAL: ±0.3

RoHS Compliant

TOLERANCES ARE

MORETHANALL
PCB CONNECTORS
Cable ASSEMBLIES

煜倫股份有限公司

www.morethanall.com

DRAWING BY CY

CHECKED BY GENIUS

UNIT / mm SCALE 1 : 1

DATE

SIZE A4

X. ±
.X ±
.XX ±
.XXX ±
ANG ±

P PROJECTION

照片框

ORDER INFORMATION

MDD-S-05-LF
SERIES | T LEADFREE
05WAY
FEMALE

DESCRIPTION: S JACK