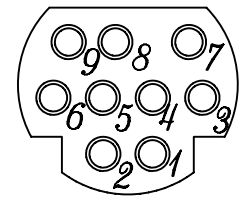
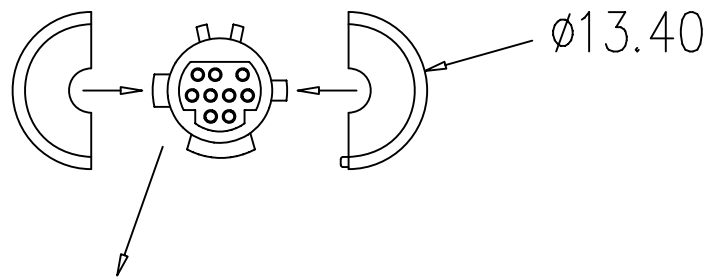
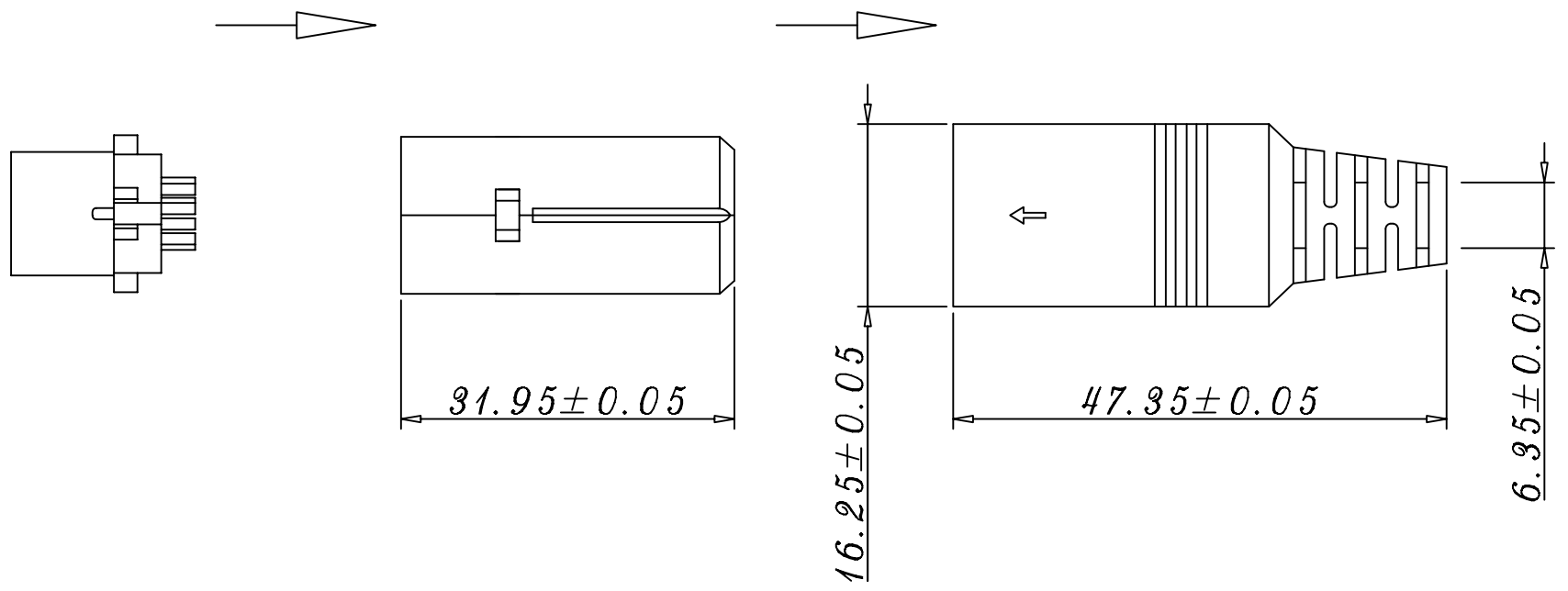


1 2 3 4 5 6 7 8 9 0

J
I
H
G
F
E
D
C
B
A



Rating: 100V AC 1A
 Insulation
 Resistance: 50M \hat{e} /500V DC
 Dielectric: 500V AC/1minute

MDA-S-09-LF
 LEADFREE
 RoHS Compliant



PART NO. MDA-S-09		CHECKED BY CY		TOLERANCES ARE .X ± 0.2 .XX ± 0.1 .XXX ± AWG	DESCRIP TION:			
DWG NO. MDA-S-09		DRAWING BY						
FILE NO.		PROJECTION		AREA	REVISIONS	HK	DATE	
UNIT / mm	SCALE 1:1							

煜倫股份有限公司