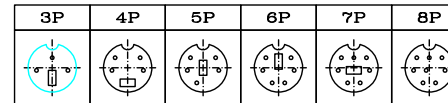
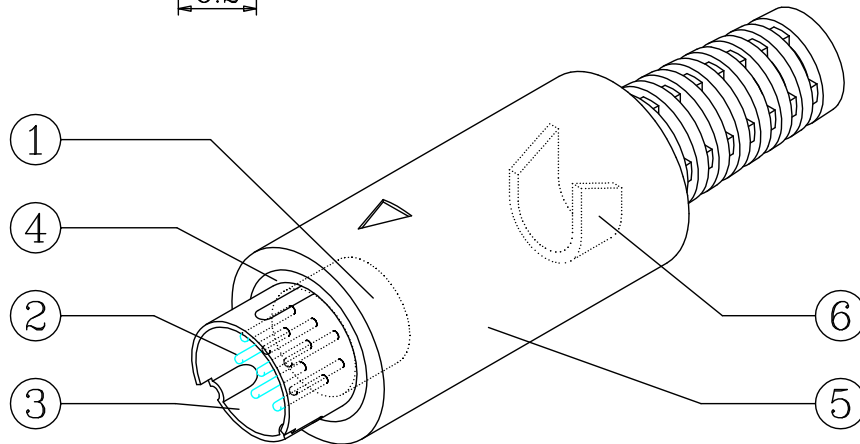


ARRANGEMENT OF CONTACTS



SPECIFICATIONS

Contact resistance	30M Ω Max.
Dielectric strength	250V AC/1 Minute
Insulation resistance	50M Ω Min. at 250V DC
Rating	100V AC 1A Max.; 12V DC 2A Max.
Insertion force	4.5Kg Max.
Withdrawal force	0.9Kg ~ 3Kg



P/N	PART NAME	Q'TY	MATERIAL	PLATING	REMARKS
6	CLIP RING	1	BSR-H (0.8t)	NICKEL	30-50U"
5	MAIN BODY	1	EVA [UE633]		
4	PLASTIC LINING	1	ABS [777D]		UL94
3	METAL COVER	1	BSR-H (0.4t) [C2680R]	NICKEL	30-50U"
2	CONTACT TERMINAL	3~8	BSR-H (0.59D) [R-35]	SILVER PLATED	30-50U"
1	PLASTIC CORE	1	PBT [D202G15]		UL94

RoHS Compliant

TOLERANCES ARE

MORETHANALL
PCB CONNECTORS
Cable ASSEMBLIES

DRAWING BY CY

CHECKED BY GENIUS

UNIT / mm SCALE 1:1

DATE

SIZE A4

X. \pm
.X \pm
.XX \pm
.XXX \pm
ANG \pm

PJECTION

照片框

ORDER INFORMATION

MDA-P-xx-LF
SERIES | LEADFREE
03~08WAY
MALE

煜倫股份有限公司

www.morethanall.com

DESCRIPTION: