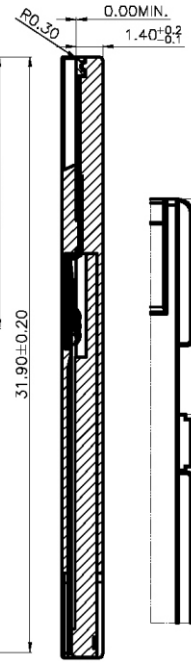
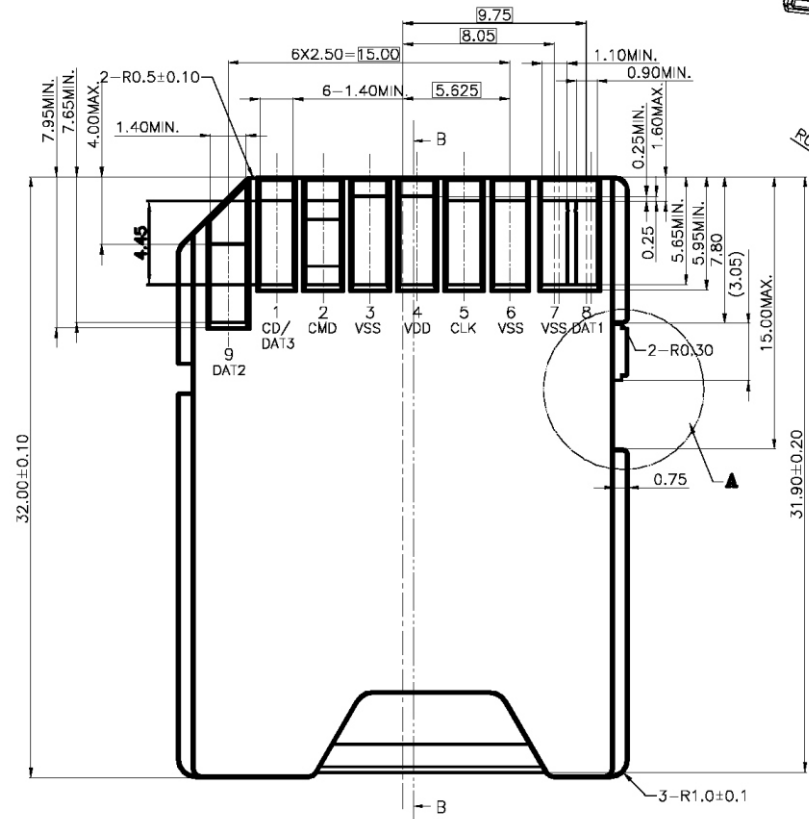
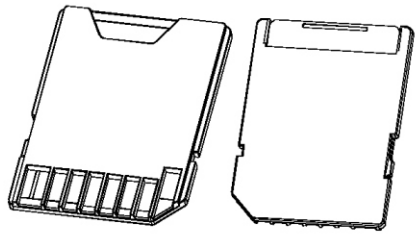
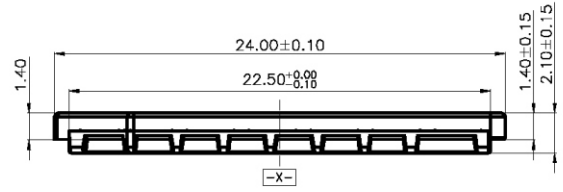
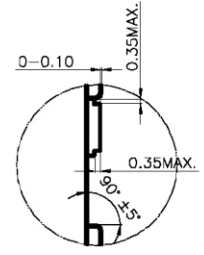
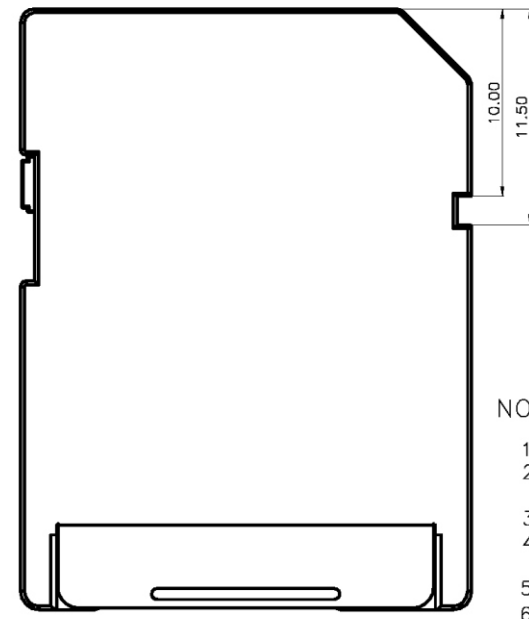


MCX2-ES-SDMSD-LF
LEADFREE

RoHS Compliant



SEC B-B



DETAIL A

NOTE:

1. Contact Resistance: 100mΩ Max.
2. Dielectric Withstanding Voltage: 500VAC Max With i Minute
3. Insulation Resistance: 1000 MΩ Min.
4. Current Rating: 1 A AC/DC Max. Rated Voltage: 500 V RMS Min.
5. Mini SD Card extraction force: 1.5N MIN.
6. Durability: 10,000 mating cycles.
7. Operating Temperature: -25℃ ~ +85℃
8. Storage Temperature: -45℃ ~ +85℃



PART NO. MCX2-ES-SDMSD

DWG NO. MCX2-ES-SDMSD

CHECKED BY CY

TOLERANCES ARE

DESCRIP TION:

FILE NO.

DRAWING BY

.X ± 0.2
.XX ± 0.1
.XXX ±
AWG

煜倫股份有限公司

UNIT / mm

SCALE 1:1

PROJECTION

AREA

REVISIONS

HK

DATE