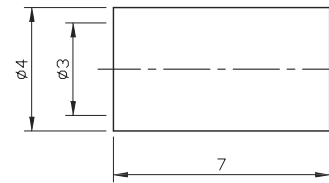
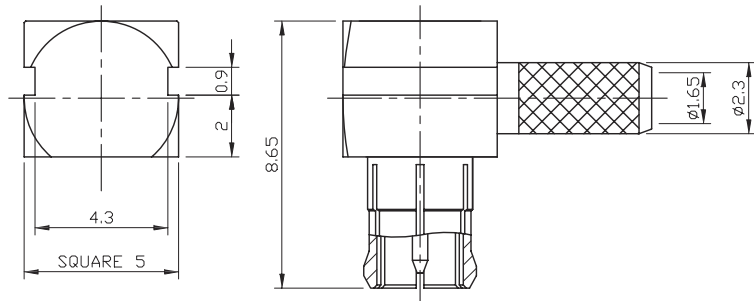
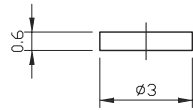
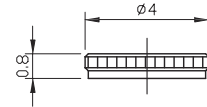


RECOMMENDED
STRIP LENGTHS



MCX-PCR-179-LF
LEADFREE
RoHS Compliant

07	FERRULE	BRASS	GOLD	1
06	BODY B	BERYLLIUM COPPER	GOLD	1
05	INSULATOR B	TEFLON	NONE	1
04	PIN	BRASS	GOLD	1
03	BODY A	BRASS	GOLD	1
02	INSULATOR A	TEFLON	NONE	1
01	COVER	BRASS	GOLD	1
NO	DESCRIPTION	MATERIAL	FINISH	Q'TY

MORETHANALL
CONNECTORS
ASSEMBLIES

PART NO. MCX-PCR-179

DWG NO. MCX-PCR-179

FILE NO.

UNIT / mm

SCALE 1:1

CHECKED BY CY

DRAWING BY

PROJECTION



TOLERANCES ARE

.X ± 0.2
.XX ±
.XXX ±
AWG

DESCRIPTION:

MCX R/A Plug Crimp for RG179 Cable [75ohm]

AREA

REVISIONS

HK

DATE

焯倫股份有限公司