

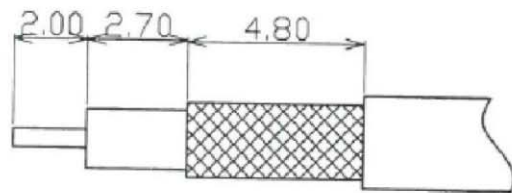
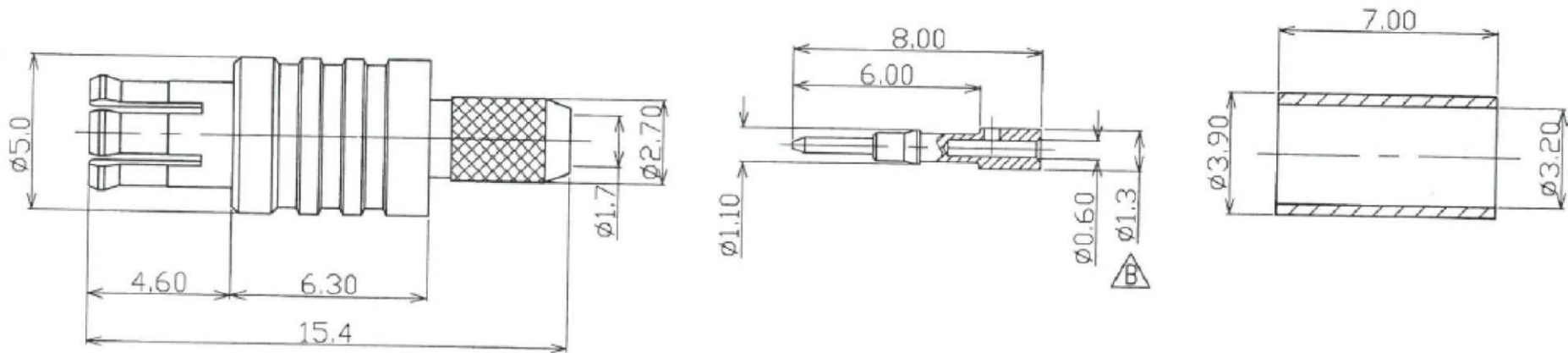
NOTES: TYPICAL SPECIFICATIONS

1.0. ELECTRICAL DATA

- 1.1. FREQUENCY RANGE --- DC ... 6 GHz
- 1.2. IMPEDANC --- 50 Ohms
- 1.3. VSWR --- < 1.25
- 1.4. DIELECTRIC WITHSTANDING VOLTAGE --- 500 Vrms
- 1.5. INSULATION RESISTANCE --- 1000 Mega-Ohms
- 1.6. CENTER CONTACT RESISTANCE --- 8.0 mini-Ohms
- 1.7. OUTER CONTACT RESISTANCE --- 6.0 mini-Ohms

2.0. MECHANICAL DATA

- 2.1. COUPLING METHOD --- SNAP-ON
- 2.2. DURABILITY (MATING/UNMATING) --- 500 Cycles
- 2.3. ENGAGEMENT FORCE --- 7.2 lbs max.
- 2.4. DISENGAGEMENT FORCE --- 1.8 to 7.2 lbs
- 2.5. TEMPERATURE RANGE --- -65° to 165°



Recommended Cable Strip

4	Sleeve	BRASS	GOLD	1
3	PIN	BRASS	GOLD	1
2	Male insulator	TEFLON		1
1	BODY	BRASS	GOLD	2
ITEM	ITEM NAME	MATERIAL	FINISH	Q'TY/EA

RoHS Compliant

TOLERANCES ARE

**MORETHANALL**  
PCB CONNECTORS  
Cable ASSEMBLIES

煜倫股份有限公司

www.morethanall.com

DRAWING BY CY

CHECKED BY GENIUS

UNIT / mm

SCALE 1 : 1

DATE

SIZE A4

X, ± 0.38

.X, ± 0.25

.XX, ± 0.15

.XXX, ± 0.05

ANG ±

PPOJECTION

照片框

ORDER INFORMATION

MCX-PC-316-LF  
SERIES | LEADFREE  
RG 316  
CRIMP  
MALE

DESCRIPTION: MCX STRAIGHT PLUG FOR RG-316