

NOTES:

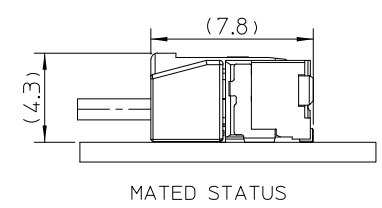
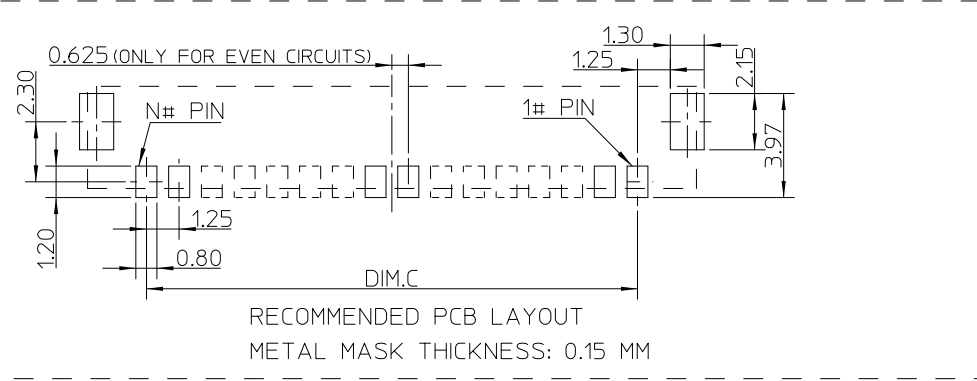
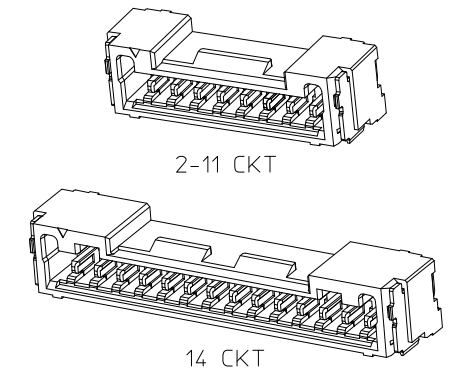
1. MATERIAL:
 HOUSING: THERMOPLASTIC, GLASS FIBER FILLED, UL94V-0,
 TERMINALS: COPPER ALLOY
 NAIL: COPPER ALLOY

2. PLATING:
 TERMINAL: NICKEL UNDERPLATED 1.27 MICROMETERS/50 MICROINCH OVERALL
 GOLD FLASH OR MATTE TIN PLATED 1.27 MICROMETERS /50 MICROINCH ONT SMT AREA
 PLATING SPEC SEE THE TABLE AT CONTACT AREA.

NAIL: MATTE TIN PLATED 2.54 MICROMETERS/100 MICROINCH OVERALL
 NICKEL UNDERPLATED 1.27MICROMETERS/50 MICROINCH OVERALL

CKTS	DIM.A	DIM.B	DIM.C	DIM.D	TOOLING	COLOR
2	5.75	4.92	1.25	1.9	YES	BLACK
7	12.00	11.17	7.50	6.7	NO	
8	13.25	12.95	8.75	6.7	NO	
9	14.50	13.67	10.00	6.7	NO	
14	20.75	19.92	16.25	10.7	YES	

CONNECTOR SHAPE



RoHS Compliant		TOLERANCES ARE		照片框	ORDER INFORMATION		
 煜倫股份有限公司 www.morethanall.com		DRAWING BY CY			MCL125-WXBK-1Xxx-LF		
		CHECKED BY GENIUS			SERIES		
UNIT / mm	SCALE 1 : 1	X, ±			LEADFREE		
DATE		.X ± 0.25			1X02:02 WAY		
SIZE A4	P PROJECTION	.XX ± 0.20		1X14:14 WAY			
		.XXX ±		BLACK			
		ANG ±		NON POST			
				90°SMT			
				DESCRIPTION: WIRE TO BOARD CONNECTOR 1.25MM PITCH, 1* N CIRCUITS RIGHT ANGLE SMT TYPE			