

RoHS Compliant

TOLERANCES ARE

MORETHANALL
PCB CONNECTORS
Cable ASSEMBLIES

DRAWING BY CY

X, ±

CHECKED BY GENIUS

.X ± 0.25

UNIT / mm

SCALE 1 : 1

.XX ± 0.20

DATE

.XXX ±

ANG ± 3°

煜倫股份有限公司

www.morethanall.com

SIZE A4

PPOJECTION

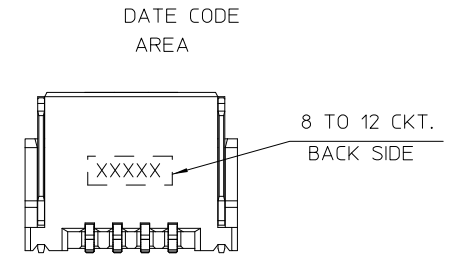
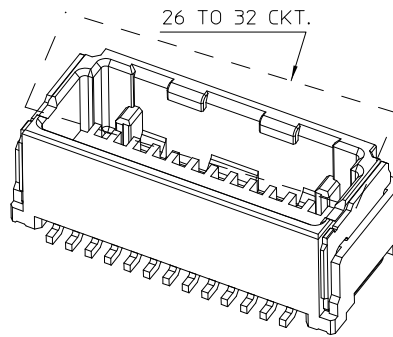
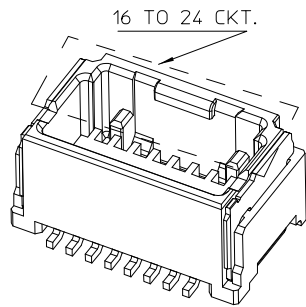
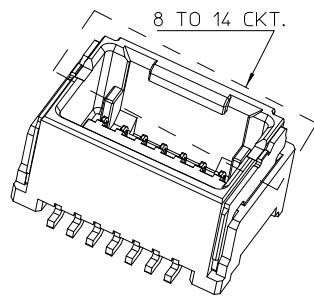
照片框

ORDER INFORMATION

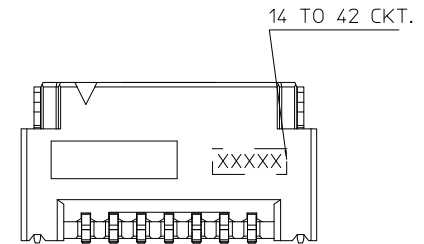
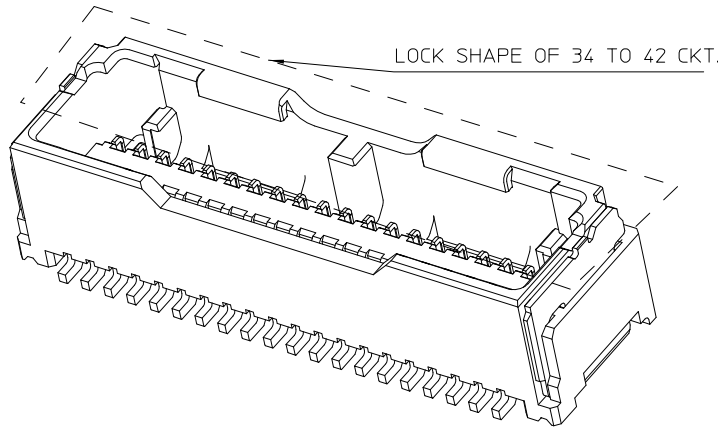
MCL125-VXccCR-2Xxx-LF

SERIES | | | | | LEADFREE
 180°SMT | | | | | 2X04:08WAY
 NON POST | | | | | REEL 2X16:32WAY
 CAP | | | | | BK:BLACK
 WH:WHITE

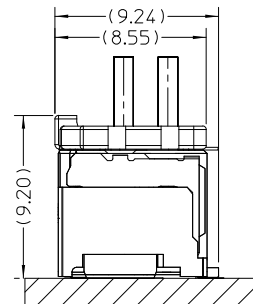
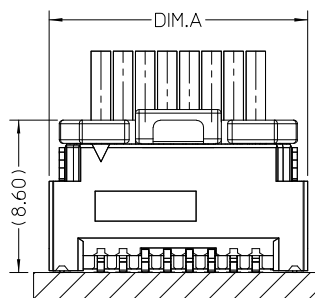
DESCRIPTION: WIRE TO BOARD CONNECTOR
 1.25MM PITCH, N CIRCUITS VERTICAL SMT TYPE WITH COVER TAPE



LOCK SHAPE



MATED CONNECTOR



RoHS Compliant

TOLERANCES ARE

MORETHANALL
PCB CONNECTORS
Cable ASSEMBLIES

DRAWING BY CY

CHECKED BY GENIUS

UNIT / mm

SCALE 1:1

DATE

SIZE A4

X: ±
.X ± 0.25
.XX ± 0.20
.XXX ±
ANG ± 3°

PJECTION

照片框

ORDER INFORMATION

MCL125-VXccCR-2Xxx-LF

SERIES

180°SMT

NON POST

REEL

LEADFREE

2X04:08WAY

2X16:32WAY

CAP

BK:BLACK

WH:WHITE

煜倫股份有限公司

www.morethanall.com

DESCRIPTION:

WIRE TO BOARD CONNECTOR
1.25MM PITCH, N CIRCUITS VERTICAL SMT TYPE WITH COVER TAPE

P/N	CIRCUITS	DIM.A	DIM.B	DIM.C	COLOR	TOOLING
MCL125-VXBKC-2X04	08	9.60	5.00	3.75	BLACK	NO
MCL125-VXBKC-2X05	10	10.85	6.25	5.00		
MCL125-VXBKC-2X06	12	12.10	7.50	6.25		
MCL125-VXBKC-2X07	14	13.35	8.75	7.50		
MCL125-VXBKC-2X08	16	14.60	10.00	8.75		
MCL125-VXBKC-2X09	18	15.85	11.25	10.00		
MCL125-VXBKC-2X10	20	17.10	12.50	11.25		
MCL125-VXBKC-2X11	22	18.35	13.75	12.50		
MCL125-VXBKC-2X12	24	19.60	15.00	13.75	BLACK	YES
MCL125-VXWHC-2X12	24	19.60	15.00	13.75	NATURE	NO
MCL125-VXBKC-2X13	26	20.85	16.25	15.00	BLACK	
MCL125-VXBKC-2X14	28	22.10	17.50	16.25		
MCL125-VXBKC-2X15	30	23.35	18.75	17.50		
MCL125-VXBKC-2X16	32	24.60	20.00	18.75	NATURE	
MCL125-VXWHC-2X16	32	24.60	20.00	18.75	NATURE	
MCL125-VXBKC-2X17	34	25.85	21.25	20.00	BLACK	
MCL125-VXBKC-2X18	36	27.10	22.50	21.25		
MCL125-VXBKC-2X19	38	28.35	23.75	22.50		
MCL125-VXBKC-2X20	40	29.60	25.00	23.75		
MCL125-VXBKC-2X21	42	30.85	26.25	25.00		

NOTES:

- MATERIAL:
HOUSING: THERMOPLASTIC, GLASS FIBER FILLED, UL94V-0,
COLOR: REFER TO TABLE
TERMINALS: COPPER ALLOY
- PLATING:
TERMINAL: NICKEL UNDERPLATED 1.27-2.54 MICROMETERS/50-100 MICROINCH OVERALL
PLATING SPECIFICATION ON CONTACT AND SMT AREA REFER THE TABLE
NAIL: MATTE TIN PLATED 2.54-5.08 MICROMETERS/100-200 MICROINCH OVERALL
NICKEL UNDERPLATED 1.27-2.54 MICROMETERS/50-100 MICROINCH OVERALL
- LEAD FREE AND ROHS COMPLIANT

RoHS Compliant

TOLERANCES ARE

MORETHANALL
PCB CONNECTORS
Cable ASSEMBLIES

煜倫股份有限公司

www.morethanall.com

DRAWING BY CY

CHECKED BY GENIUS

UNIT / mm

SCALE 1 : 1

DATE

SIZE A4

X, ±
.X ± 0.25
.XX ± 0.20
.XXX ±
ANG ± 3°

PPOJECTION

照片框

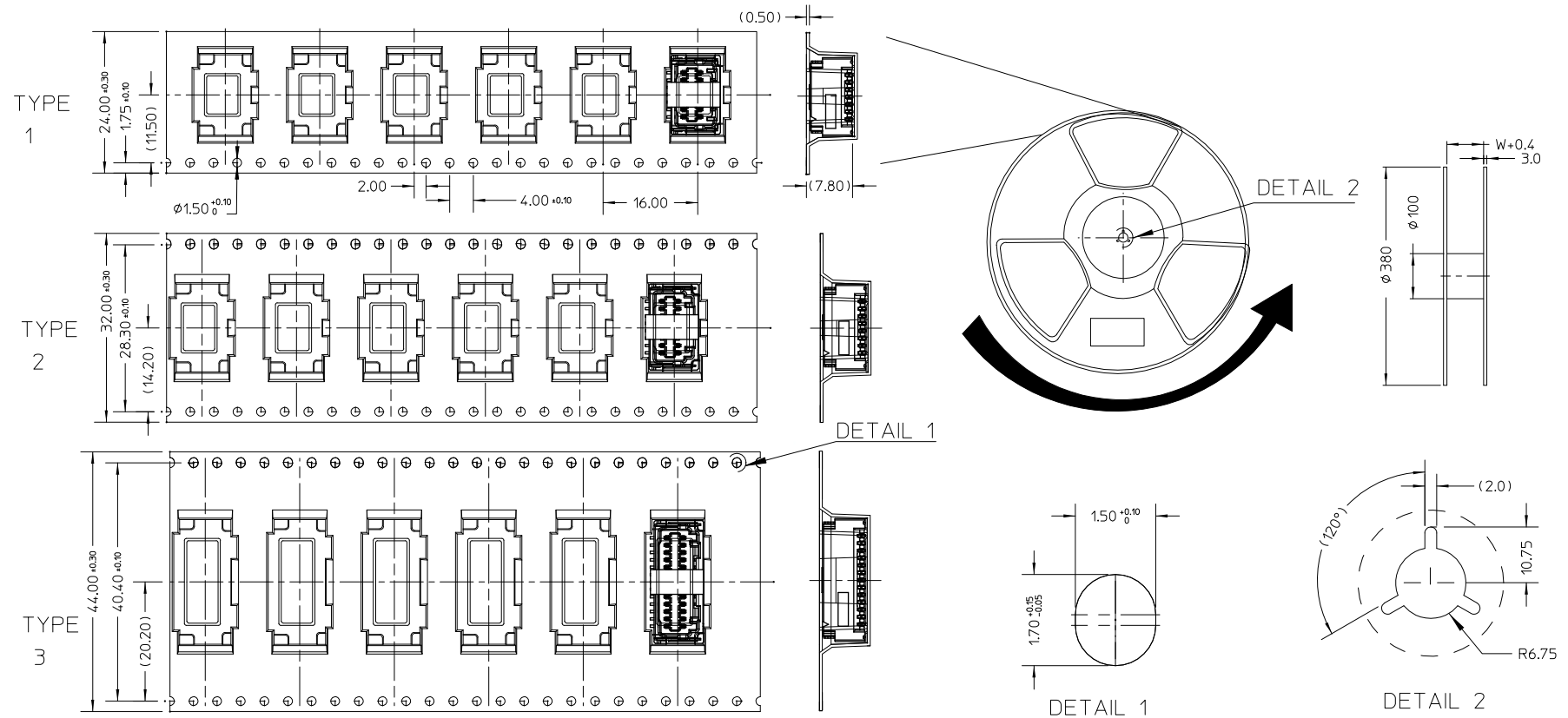
ORDER INFORMATION

MCL125-VXccCR-2Xxx-LF

SERIES | | | | | LEADFREE
2X04:08WAY
2X16:32WAY
REEL
CAP
180°SMT
NON POST BK:BLACK
WH:WHITE

DESCRIPTION: WIRE TO BOARD CONNECTOR
1.25MM PITCH, N CIRCUITS VERTICAL SMT TYPE WITH COVER TAPE

← PULL OUT DIRECTION



NOTES:

1. MATERIAL:
TAPING: PS, COLOR: TRANSPARENCY, T=0.50±0.05MM.
REEL: PLASTIC REEL, Ø380MM
2. PACKING LENGTH PER REEL: 8.64 METERS
3. 10 SPROCKET HOLES PITCH CUMULATIVE TOLERANCE ±0.20MM
4. THE DIMENSIONS OF HOLE AND PITCH ARE THE SAME AS TYPE 1.

RoHS Compliant

TOLERANCES ARE

MORETHANALL
PCB CONNECTORS
Cable ASSEMBLIES

DRAWING BY CY

CHECKED BY GENIUS

UNIT / mm

SCALE 1 : 1

DATE

SIZE A4

X, ±
.X ± 0.30
.XX ± 0.20
.XXX ±
ANG ±

P PROJECTION

照片框

ORDER INFORMATION

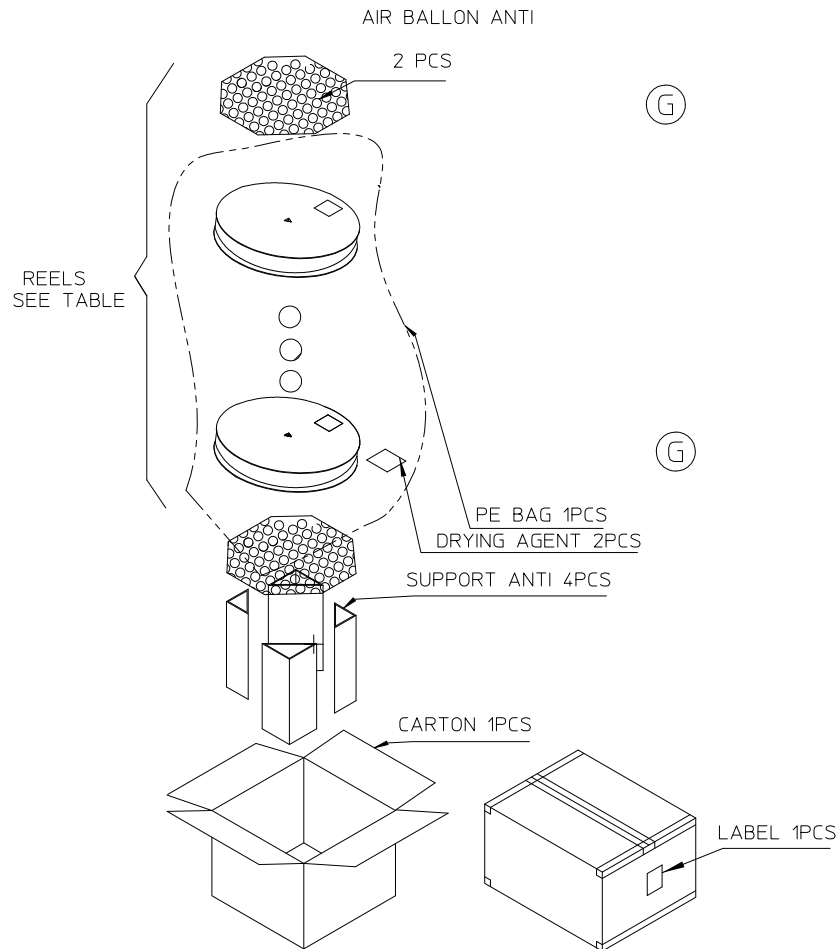
MCL125-VXccCR-2Xxx-LF

SERIES | | | | | LEADFREE
2X04:08WAY
2X16:32WAY
REEL
CAP
180°SMT
NON POST BK:BLACK
WH:WHITE

DESCRIPTION: WIRE TO BOARD CONNECTOR
1.25MM PITCH, N CIRCUITS VERTICAL SMT TYPE WITH COVER TAPE

煜倫股份有限公司

www.morethanall.com

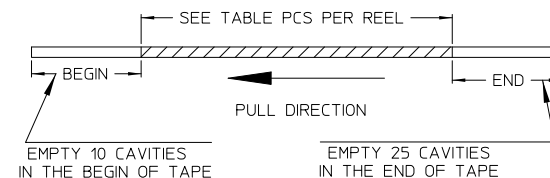


NOTES:

1. STAPLES SHOULD ONLY BE USED TO SET UP CARTON. ALL CARTON CLOSURES MUST BE DONE WITH TAPE.
2. FILL PACKAGING TAPE REEL WITH THE QUANTITIES AS INDICATED IN THE CHART

TYPE	P/N	CKT	CONNECTOR Q'TY/REEL	W	REEL Q'TY PER CARTON	TOTAL Q'TY PER CARTON
1	MCL125-VXccCR-2X04	8	500	24.0	10	5000
	MCL125-VXccCR-2X05	10				
	MCL125-VXccCR-2X06	12				
	MCL125-VXccCR-2X07	14				
2	MCL125-VXccCR-2X08	16	500	32.0	8	4000
	MCL125-VXccCR-2X09	18				
	MCL125-VXccCR-2X10	20				
	MCL125-VXccCR-2X11	22				
	MCL125-VXccCR-2X12	24				
	MCL125-VXccCR-2X12	24				
3	MCL125-VXccCR-2X03	26	500	44.0	6	3000
	MCL125-VXccCR-2X14	28				
	MCL125-VXccCR-2X15	30				
	MCL125-VXccCR-2X16	32				
	MCL125-VXccCR-2X16	32				
	MCL125-VXccCR-2X17	34				
	MCL125-VXccCR-2X18	36				
	MCL125-VXccCR-2X19	38				
	MCL125-VXccCR-2X20	40				
	MCL125-VXccCR-2X21	42				

*: PLATING NUMBERS (1-8)



RoHS Compliant

TOLERANCES ARE

MORETHANALL
PCB CONNECTORS
Cable ASSEMBLIES

煜倫股份有限公司

www.morethanall.com

DRAWING BY CY

CHECKED BY GENIUS

UNIT / mm

SCALE 1 : 1

DATE

SIZE A4

X, ±
.X ± 0.30
.XX ± 0.20
.XXX ±
ANG ±

PPOJECTION

照片框

ORDER INFORMATION

MCL125-VXccCR-2Xxx-LF

SERIES

REEL

CAP

BK:BLACK

WH:WHITE

LEADFREE

2X04:08WAY

2X16:32WAY

180°SMT

NON POST

DESCRIPTION:

WIRE TO BOARD CONNECTOR
1.25MM PITCH, N CIRCUITS VERTICAL SMT TYPE WITH COVER TAPE