

RoHS Compliant

TOLERANCES ARE

MORETHANALL
PCB CONNECTORS
Cable ASSEMBLIES

DRAWING BY CY

X, ±

CHECKED BY GENIUS

.X ± 0.25

UNIT / mm

SCALE 1 : 1

.XX ± 0.20

DATE

.XXX ±

ANG ± 3°

煜倫股份有限公司

www.morethanall.com

SIZE A4

PPOJECTION

照片框

ORDER INFORMATION

MCL125-VXccC-2Xxx-LF

SERIES

LEADFREE

2X04:08WAY

2X16:32WAY

180°SMT

CAP

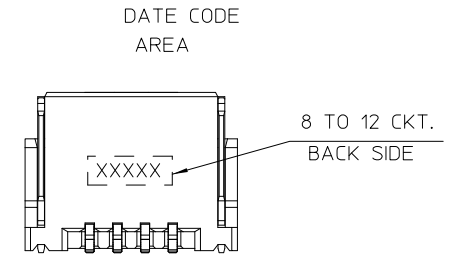
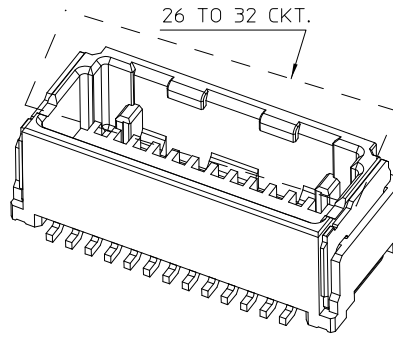
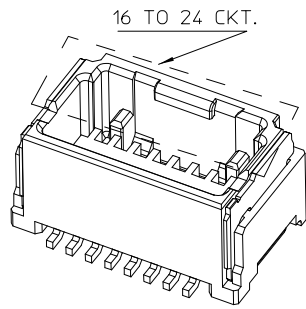
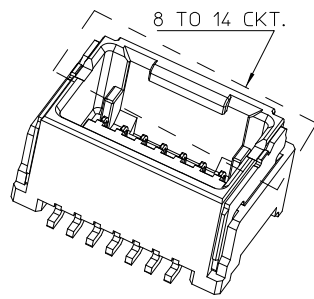
BK:BLACK

WH:WHITE

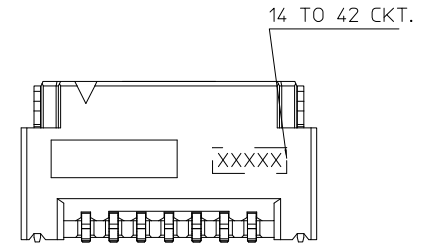
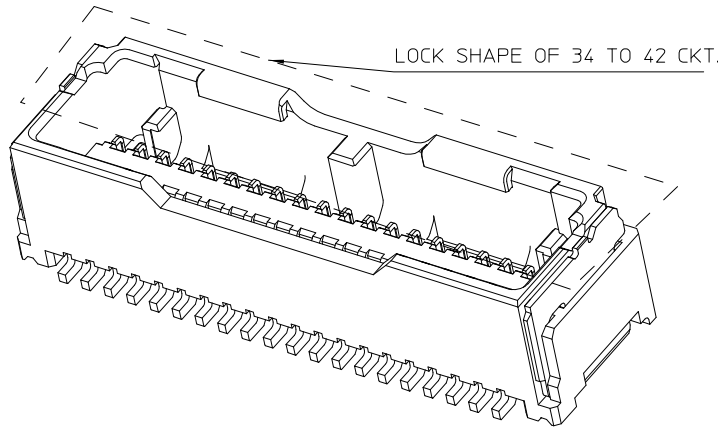
NON POST

DESCRIPTION:

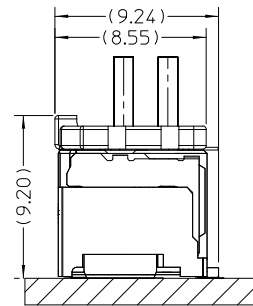
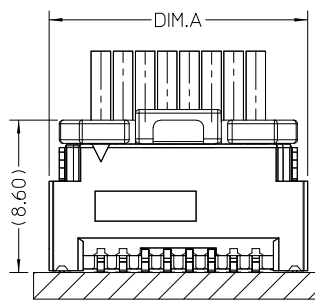
WIRE TO BOARD CONNECTOR
1.25MM PITCH, N CIRCUITS VERTICAL SMT TYPE WITH COVER TAPE



LOCK SHAPE



MATED CONNECTOR



RoHS Compliant

TOLERANCES ARE

MORETHANALL
PCB CONNECTORS
Cable ASSEMBLIES

DRAWING BY CY

CHECKED BY GENIUS

UNIT / mm

SCALE 1:1

DATE

SIZE A4

X: ±
.X ± 0.25
.XX ± 0.20
.XXX ±
ANG ± 3°

PJECTION

照片框

ORDER INFORMATION

MCL125-VXccC-2Xxx-LF

SERIES

|

|

|

|

|

|

|

|

|

|

|

|

|

|

|

|

|

|

|

|

|

|

|

|

180°SMT

CAP

BK:BLACK

WH:WHITE

NON POST

LEADFREE

2X04:08WAY

2X16:32WAY

煜倫股份有限公司

www.morethanall.com

DESCRIPTION:

WIRE TO BOARD CONNECTOR
1.25MM PITCH, N CIRCUITS VERTICAL SMT TYPE WITH COVER TAPE

P/N	CIRCUITS	DIM.A	DIM.B	DIM.C	COLOR	TOOLING
MCL125-VXBKC-2X04	08	9.60	5.00	3.75	BLACK	NO
MCL125-VXBKC-2X05	10	10.85	6.25	5.00		
MCL125-VXBKC-2X06	12	12.10	7.50	6.25		
MCL125-VXBKC-2X07	14	13.35	8.75	7.50		
MCL125-VXBKC-2X08	16	14.60	10.00	8.75		
MCL125-VXBKC-2X09	18	15.85	11.25	10.00		
MCL125-VXBKC-2X10	20	17.10	12.50	11.25		
MCL125-VXBKC-2X11	22	18.35	13.75	12.50		
MCL125-VXBKC-2X12	24	19.60	15.00	13.75	BLACK	YES
MCL125-VXWHC-2X12	24	19.60	15.00	13.75	NATURE	NO
MCL125-VXBKC-2X13	26	20.85	16.25	15.00	BLACK	
MCL125-VXBKC-2X14	28	22.10	17.50	16.25		
MCL125-VXBKC-2X15	30	23.35	18.75	17.50		
MCL125-VXBKC-2X16	32	24.60	20.00	18.75	NATURE	
MCL125-VXWHC-2X16	32	24.60	20.00	18.75	NATURE	
MCL125-VXBKC-2X17	34	25.85	21.25	20.00	BLACK	
MCL125-VXBKC-2X18	36	27.10	22.50	21.25		
MCL125-VXBKC-2X19	38	28.35	23.75	22.50		
MCL125-VXBKC-2X20	40	29.60	25.00	23.75		
MCL125-VXBKC-2X21	42	30.85	26.25	25.00		

NOTES:

- MATERIAL:
HOUSING: THERMOPLASTIC, GLASS FIBER FILLED, UL94V-0,
COLOR: REFER TO TABLE
TERMINALS: COPPER ALLOY
- PLATING:
TERMINAL: NICKEL UNDERPLATED 1.27-2.54 MICROMETERS/50-100 MICROINCH OVERALL
PLATING SPECIFICATION ON CONTACT AND SMT AREA REFER THE TABLE
NAIL: MATTE TIN PLATED 2.54-5.08 MICROMETERS/100-200 MICROINCH OVERALL
NICKEL UNDERPLATED 1.27-2.54 MICROMETERS/50-100 MICROINCH OVERALL
- LEAD FREE AND ROHS COMPLIANT

RoHS Compliant

TOLERANCES ARE

MORETHANALL
PCB CONNECTORS
Cable ASSEMBLIES

煜倫股份有限公司

www.morethanall.com

DRAWING BY CY

CHECKED BY GENIUS

UNIT / mm

SCALE 1 : 1

DATE

SIZE A4

PPOJECTION 

X, ±
.X ± 0.25
.XX ± 0.20
.XXX ±
ANG ± 3°

照片框

ORDER INFORMATION

MCL125-VXccC-2Xxx-LF

SERIES | | | | LEADFREE
2X04:08WAY
2X16:32WAY
CAP
BK:BLACK
WH:WHITE
NON POST
180°SMT

DESCRIPTION: WIRE TO BOARD CONNECTOR
1.25MM PITCH, N CIRCUITS VERTICAL SMT TYPE WITH COVER TAPE