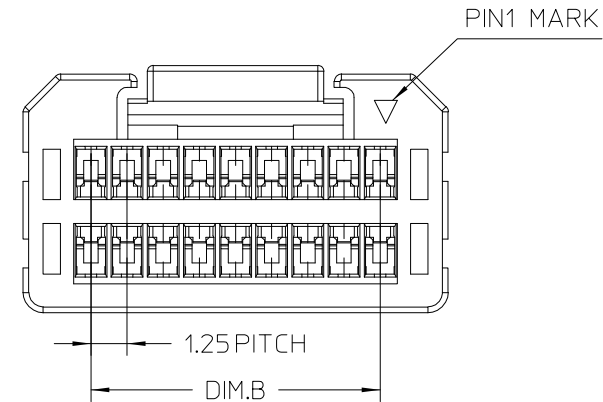
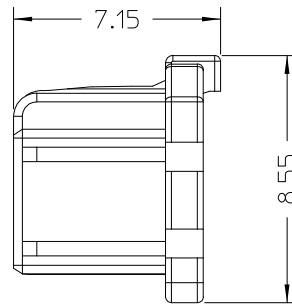
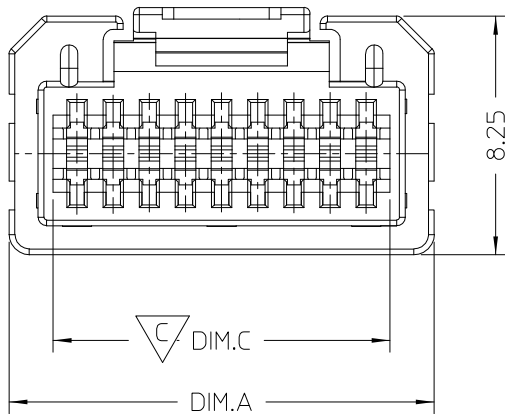


NOTES:

1. MATERIAL: THERMOPLASTIC, UL94V-0, COLOR:SEE THE TABLE



**RoHS Compliant**

TOLERANCES ARE

**MORETHANALL**  
PCB CONNECTORS  
Cable ASSEMBLIES

DRAWING BY CY

CHECKED BY GENIUS

UNIT / mm

SCALE 1 : 1

DATE

SIZE A4

P PROJECTION

X, ±  
.X ± 0.25  
.XX ± 0.20  
.XXX ±  
ANG ±

照片框

**ORDER INFORMATION**

**MCL125-Hcc-2Xxx-LF**

SERIES

LEADFREE

2X04:08WAY

2X20:40WAY

BK:BLACK

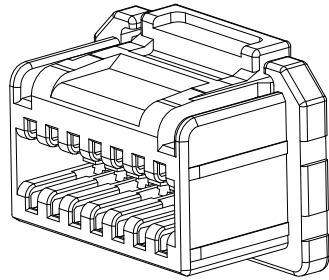
WH:WHITE

HOUSING

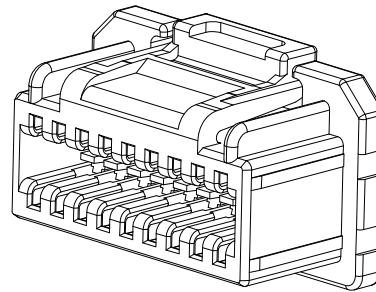
煜倫股份有限公司

www.morethanall.com

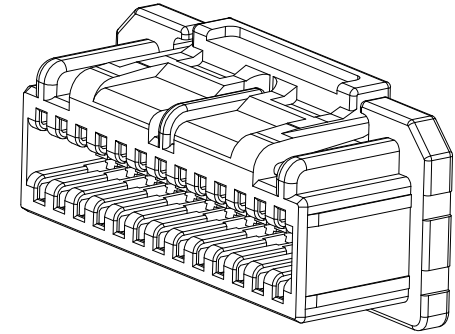
DESCRIPTION: 1.25MM PITCH, N CIRCUITS PLUG HOUSING, VERTICAL TYPE WIRE TO BOARD CONNECTOR



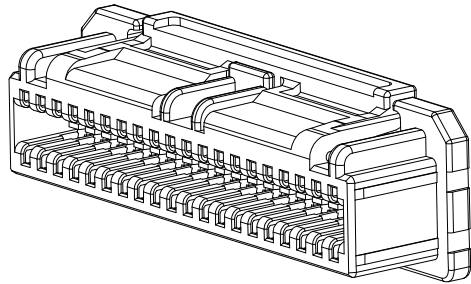
SHAPE OF 8-14CKT



SHAPE OF 18-24CKT



SHAPE OF 26-32CKT



SHAPE OF 34-40CKT

P/N	CIRCUITS	DIM.A	DIM.B	DIM.C	COLOR
MCL-HBK-2X04	8	8.45	3.75	5.40	BLACK
MCL-HBK-2X05	10	9.70	5.00	6.65	
MCL-HBK-2X07	14	12.20	7.50	9.15	
MCL-HBK-2X09	18	14.70	10.00	11.65	
MCL-HBK-2X10	20	15.95	11.25	12.90	
MCL-HBK-2X12	24	18.45	13.75	15.40	NATURAL
MCL-HWH-2X12	24	18.45	13.75	15.40	
MCL-HBK-2X13	26	19.70	15.00	16.65	BLACK
MCL-HBK-2X14	28	20.95	16.25	17.90	
MCL-HBK-2X15	30	22.20	17.50	19.15	
MCL-HBK-2X16	32	23.45	18.75	20.40	
MCL-HBK-2X20	40	28.45	23.75	25.40	

①

RoHS Compliant

TOLERANCES ARE

**MORETHANALL**  
PCB CONNECTORS  
Cable ASSEMBLIES

煜倫股份有限公司

www.morethanall.com

DRAWING BY CY

CHECKED BY GENIUS

UNIT / mm

SCALE 1:1

DATE

SIZE A4

X, ±  
.X ± 0.25  
.XX ± 0.20  
.XXX ±  
ANG ±

PJECTION

照片框

ORDER INFORMATION

MCL125-Hcc-2Xxx-LF

SERIES

LEADFREE  
2X04:08WAY  
2X20:40WAY  
BK:BLACK  
WH:WHITE  
HOUSING

DESCRIPTION: 1.25MM PITCH, N CIRCUITS PLUG HOUSING, VERTICAL TYPE WIRE TO BOARD CONNECTOR