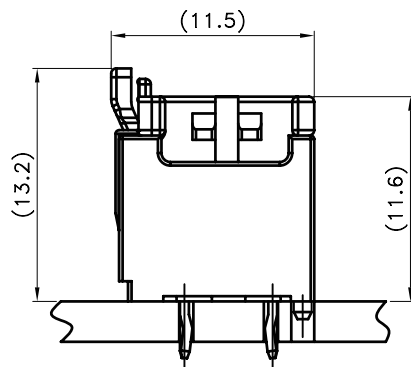
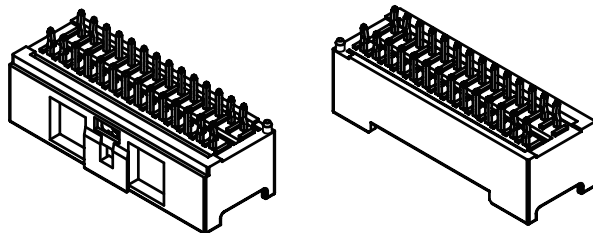
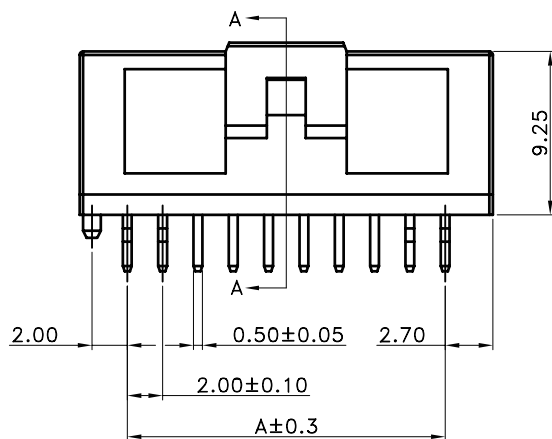
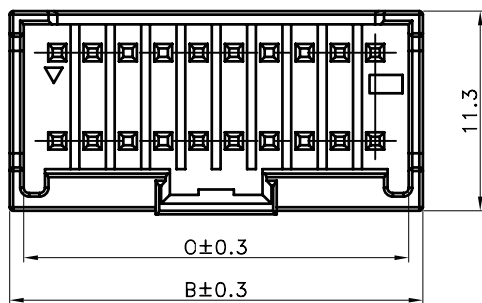
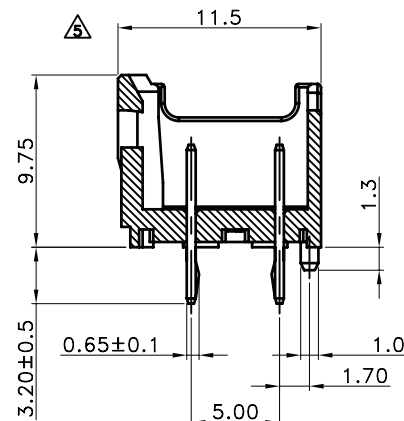


Recommended PCB Layout(Top View)



Mated Drawing (REF.)



A-A Section

■ SPECIFICATIONS

- Current Rating : 3.0 A AC/DC(22#AWG)
- Withstanding Voltage : 1000V AC/minute
- Insulation Resistance : 1000MΩ min
- Temperature Range : -25°C to +85°C
- ⚠ • Contact Resistance : 20mΩ max

■ WAFER

- Poles : 4x2~20x2(Straight , Double Row)
- ROHS Compliant
- Material : Pin : Brass,Tin Plated
Base : PBT(G.F:15%) UL94V-0
- Q' ty :1,000 Pcs/Tube Packing

Poles	Dimensions (mm)		
	A	B	C
4x2	6.0	11.4	9.8
5x2	8.0	13.4	11.8
6x2	10.0	15.4	13.8
7x2	12.0	17.4	15.8
8x2	14.0	19.4	17.8
9x2	16.0	21.4	19.8
10x2	18.0	23.4	21.8
11x2	20.0	25.4	23.8
12x2	22.0	27.4	25.8
13x2	24.0	29.4	27.8
14x2	26.0	31.4	29.8
15x2	28.0	33.4	31.8
16x2	30.0	35.4	33.8
17x2	32.0	37.4	35.8
18x2	34.0	39.4	37.8
19x2	36.0	41.4	39.8
20x2	38.0	43.4	41.8

RoHS Compliant

TOLERANCES ARE

MORETHANALL
PCB CONNECTORS
Cable ASSEMBLIES

煜倫股份有限公司

www.morethanall.com

DRAWING BY CY

CHECKED BY GENIUS

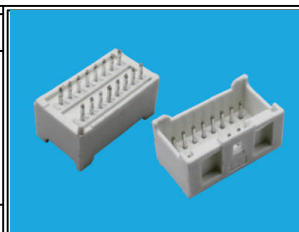
UNIT / mm SCALE 1 : 1

DATE

SIZE A4

X, ±
.X ±
.XX ±
.XXX ±
ANG ±

PJECTION



ORDER INFORMATION

MCL-DP-2Xxx-LF
SERIES | LEADFREE
2X04:08WAY
2X20:40WAY
POST
DIP 180°

DESCRIPTION: