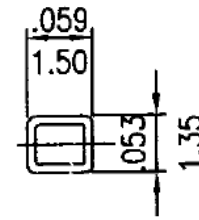
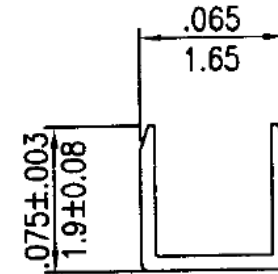
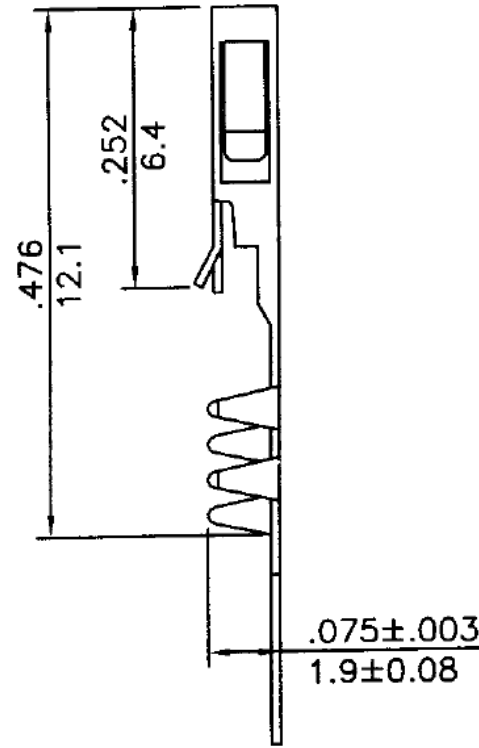
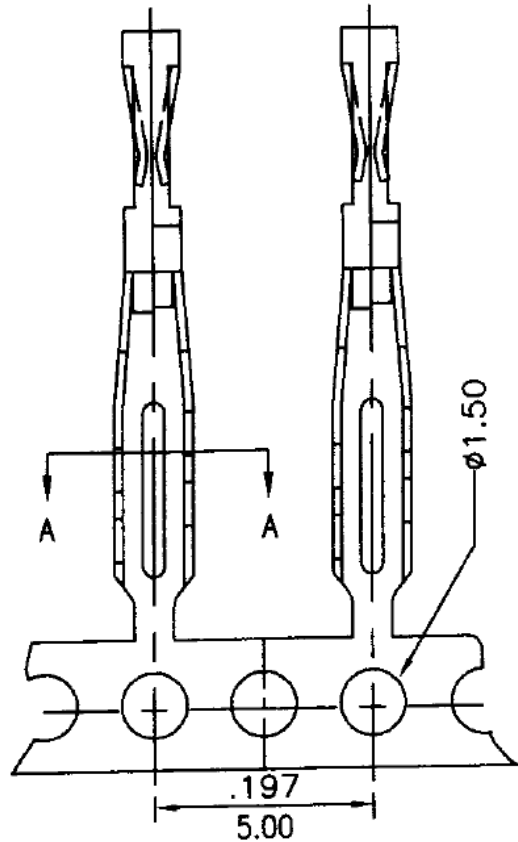


- * Material: Phos bronze
- * Finished: Tin-plated
- * Q'TY: 15,000 pcs/reel



inches
mm



A-A SECTION

RoHS Compliant

TOLERANCES ARE

MORETHANALL
PCB CONNECTORS
Cable ASSEMBLIES

煜倫股份有限公司

www.morethanall.com

DRAWING BY CY

CHECKED BY GENIUS

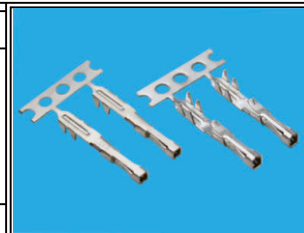
UNIT/mm SCALE 1:1

DATE

SIZE A4

X. ±
.X ±
.XX ±
.XXX ±
ANG ±

P PROJECTION



ORDER INFORMATION

MCGF-FB-LF
SERIES | LEADFREE
TERMINAL B TYPE

DESCRIPTION: