

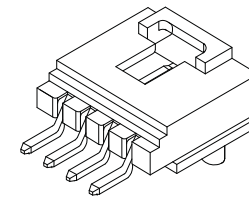
P. C. B LAYOUT

■ SPECIFICATIONS

- Voltage rating: 250V AC, DC
- Current rating: 3A, AC, DC
- Withstanding Voltage: 1500V AC/minute
- Insulation resistance: 1000MΩ min
- Temperature range: -25° C~+85° C
- Contact resistance: 20mΩ max

■ WAFER

- Poles : 02-12P
- Housing Material: PA9T UL94V-0 Black
- Pin Material: Brass
- Contact Area Plating: Gold-Plated
- The Dimension Marked “▼” Must Be Recorded



Poles	Dimensions (mm)			
	A	B	C	D
02	2.54	5.58	8.89	5.33
03	5.08	8.13	11.43	7.87
04	7.62	10.67	13.97	10.41
05	10.16	13.21	16.51	12.95
06	12.70	15.75	19.05	15.49
07	15.24	18.29	21.59	18.03
08	17.78	20.83	24.13	20.57
09	20.32	23.37	26.67	23.11
10	22.86	25.91	29.21	25.65
11	25.40	28.45	31.75	28.19
12	27.94	30.99	34.29	30.73

RoHS Compliant

TOLERANCES ARE

MORETHANALL
PCB CONNECTORS
Cable ASSEMBLIES

煜倫股份有限公司

www.morethanall.com

DRAWING BY CY

CHECKED BY GENIUS

UNIT / mm SCALE 1 : 1

DATE

SIZE A4

X ± 0.40
.X ± 0.30
.XX ± 0.20
.XXX ± 0.10
ANG ±

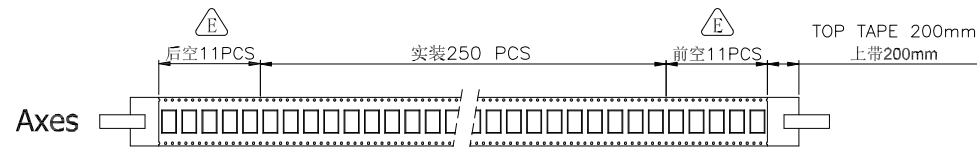
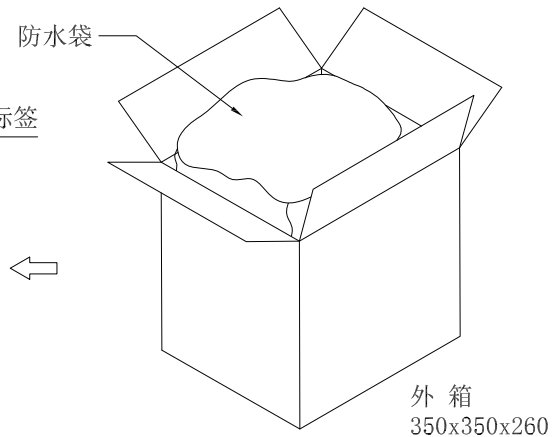
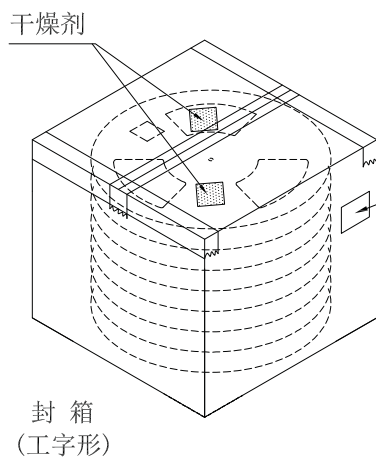
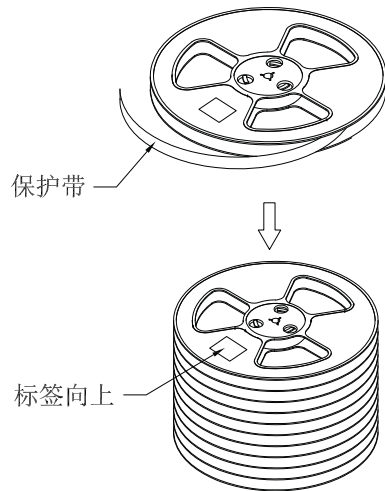
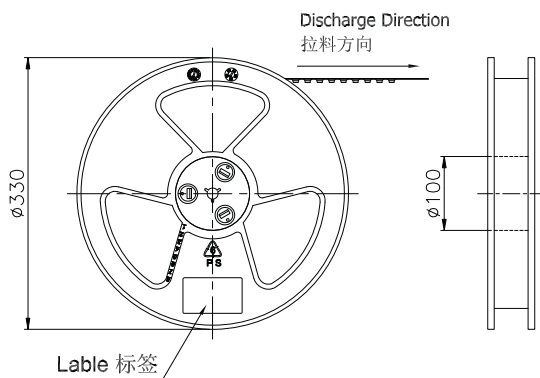
P PROJECTION

照片框

ORDER INFORMATION

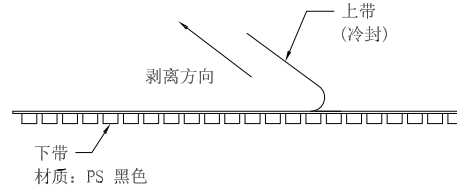
MCG-WPCR-1Xxx-LF
SERIES | LEADFREE
1X02:02WAY
1X12:12WAY
90°SMT | REEL
MYLAR
POST

DESCRIPTION:

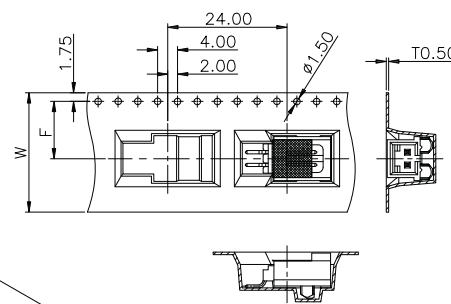


产品拉料方向

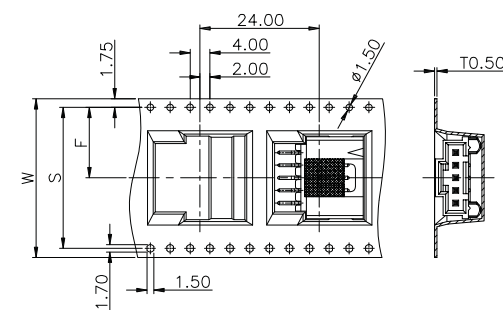
上带剥离力量: 20g~120g
速度: 300mm/MINUTE



02-04 Contacts



05-12 Contacts



Circuits	W±0.3	F±0.1	S±0.1	Q' ty/Reel	Reel/Caton
02~04 PIN	24	11.50		250 PCS	9/Reel
05 PIN	32	14.20	28.40		7/Reel
06~10 PIN	44	20.20	40.40		5/Reel
11~12 PIN	56	26.20	52.40		4/Reel

注意事项:

1. 每盘包装250PCS, 前后各空11孔.
2. 产品防水袋封口前需方2包干燥剂于包装内.
3. 产品不可有少数, 多数, 方向需保持一致.
4. 内外包装均需有数量标签, 尾数包装需用不影响品质之物品填充并注明尾数.

RoHS Compliant

TOLERANCES ARE

MORETHANALL
PCB CONNECTORS
Cable ASSEMBLIES

煜倫股份有限公司

www.morethanall.com

DRAWING BY CY

CHECKED BY GENIUS

UNIT / mm SCALE 1 : 1

DATE

SIZE A4

X. ± 0.30

.X ± 0.25

.XX ± 0.20

.XXX ± 0.05

ANG ±

PPOJECTION

照片框

ORDER INFORMATION

MCG-WPCR-1Xxx-LF

SERIES LEADFREE

1X02:02WAY

1X12:12WAY

90°SMT REEL
MYLAR POST

DESCRIPTION: