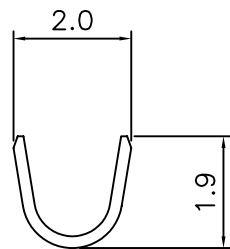
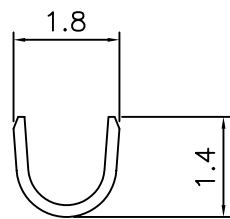


**TERMINAL** RoHS COMPLIANT

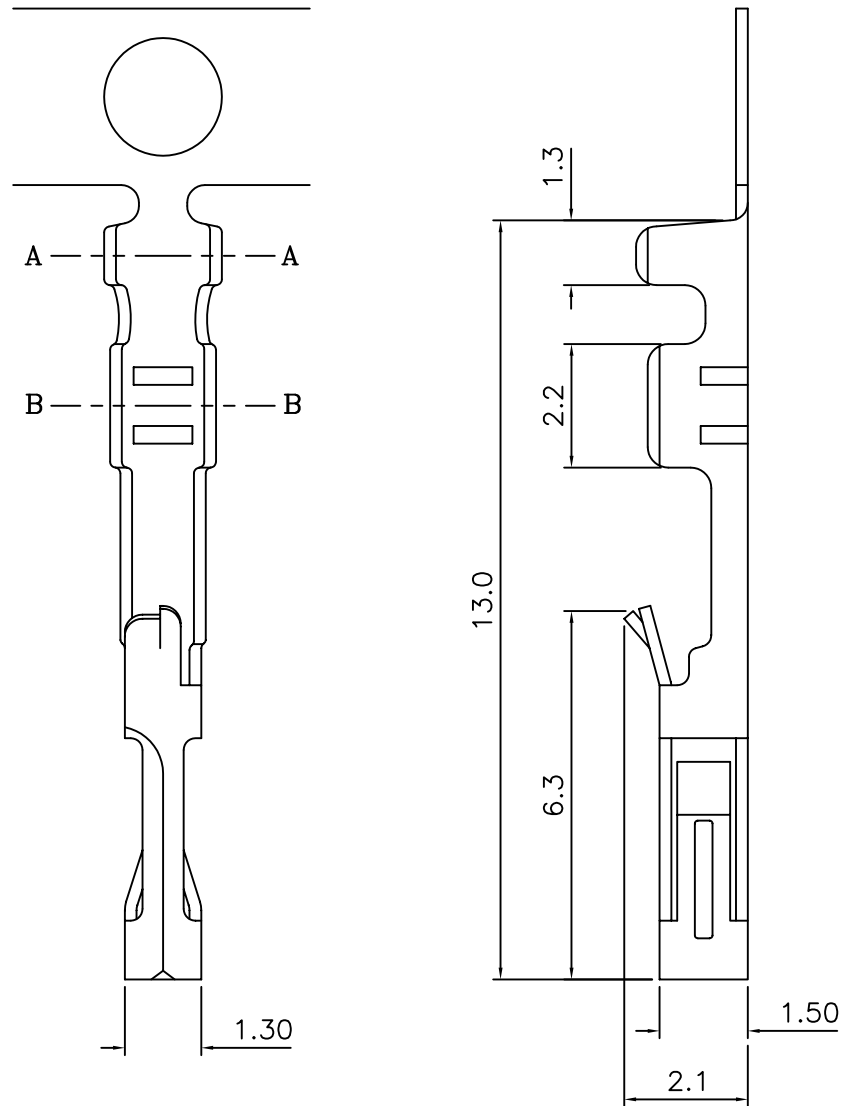
Applicable wires: AWG#24-28  
 Material: Phos. Bronze.  
 Finish: Gold Flash Plated/Nikle Plated  
 Thickness: 0.2mm  
 Q'ty: 15000 pcs/roll



A-A



B-B



**RoHS Compliant**

TOLERANCES ARE

**MORETHANALL**  
 PCB CONNECTORS  
 Cable ASSEMBLIES

煜倫股份有限公司

www.morethanall.com

DRAWING BY CY	
CHECKED BY GENIUS	
UNIT / mm	SCALE 1 : 1
DATE	
SIZE A4	PJECTION

X. ±  
 .X ±  
 .XX ±  
 .XXX ±  
 ANG ±

照片框

**ORDER INFORMATION**

MCG-TG-24-LF  
 SERIES | LEADFREE  
 | 24-28 AWG  
 | GOLD  
 | TERMINAL

DESCRIPTION: **TERMINAL**