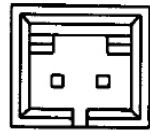
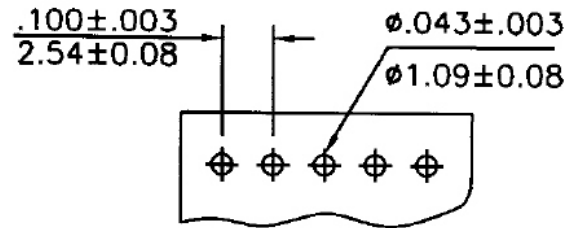
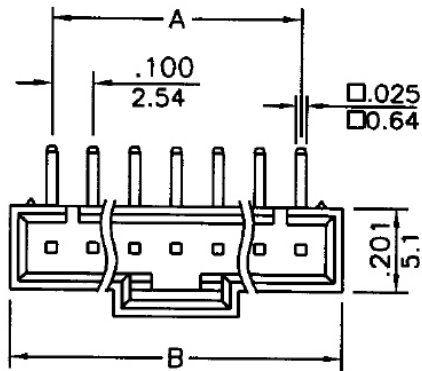


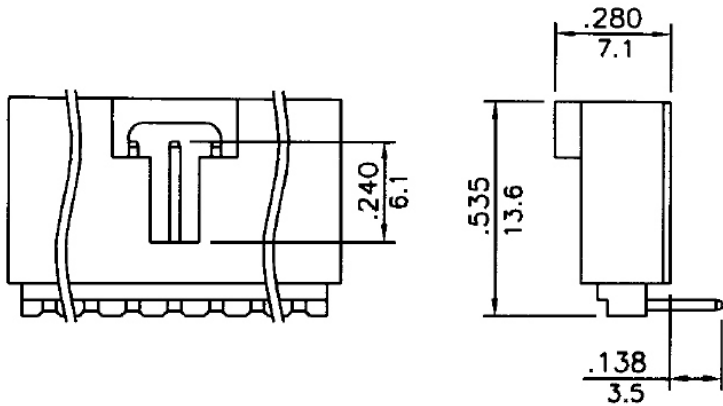
(3P)



(2P)



P.C. Board Layout



- * Poles:2-18
- * Material:Insulator:PBT UL94V-0 BLACK
- * Contact:0.64mm(.025") square pin,brass,gold plated

Specifications

- * Current rating: 2.5A AC, DC
- * Voltage rating: 250V AC, DC
- * Temperature range: -25°C~+85°C
- * Insulation resistance: 1,000MΩ min.
- * Withstand voltage: 600 AC/minute
- * Applicable PC board thickness: .063" (1.6mm)

CIRCUITS	DIMENSION in.(mm)		CIRCUITS	DIMENSION in.(mm)	
	A	B		A	B
2	0.100(2.54)	0.300(7.62)	11	1.000(25.40)	1.200(30.48)
3	0.200(5.08)	0.400(10.16)	12	1.100(27.94)	1.300(33.02)
4	0.300(7.62)	0.500(12.70)	13	1.200(30.48)	1.400(35.56)
5	0.400(10.16)	0.600(15.24)	14	1.300(33.02)	1.500(38.10)
6	0.500(12.70)	0.700(17.78)	15	1.400(35.56)	1.600(40.64)
7	0.600(15.24)	0.800(20.32)	16	1.500(38.10)	1.700(43.18)
8	0.700(17.78)	0.900(22.86)	17	1.600(40.64)	1.800(45.72)
9	0.800(20.32)	1.000(25.40)	18	1.700(43.18)	1.900(48.26)
10	0.900(22.86)	1.100(27.94)			

RoHS Compliant

TOLERANCES ARE



煜倫股份有限公司

www.morethanall.com

DRAWING BY CY

CHECKED BY GENIUS

UNIT / mm SCALE 1 : 1

DATE

SIZE A4

X, ±
.X ±
.XX ±
.XXX ±
ANG ±

P PROJECTION

照片框

ORDER INFORMATION

MCG-R-1Xxx-LF
SERIES | LEADFREE
1X02:02WAY
1X18:18WAY
DIP 90°

DESCRIPTION: