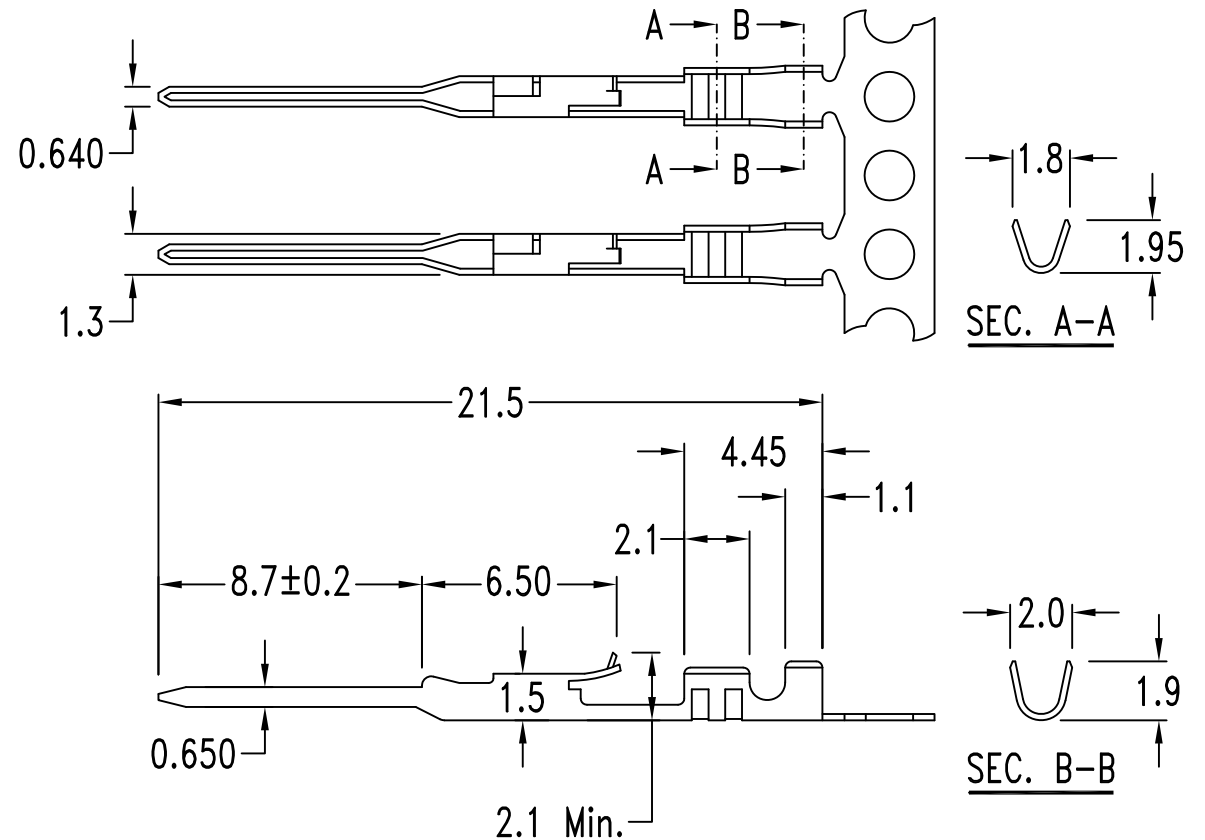


### Features:

- Finished: Tin-plated & Gold flash
- Wire range: #22 ~ #30 AWG
- Thickness: 0.2mm

### Specification:

- Current rating: 3A
- Voltage rating: 250V AC, DC
- Contact resistance: 15mΩ Max.
- Dielectric withstanding voltage: 800V AC/minute
- Ambient temperature range: -25°C ~ 85°C



RoHS Compliant

TOLERANCES ARE

**MORETHANALL**  
PCB CONNECTORS  
Cable ASSEMBLIES

DRAWING BY CY

X. ±

CHECKED BY GENIUS

.X ±

UNIT / mm

SCALE 1 : 1

.XX ±

DATE

.XXX ±

ANG ±

SIZE A4

PPOJECTION

照片框

ORDER INFORMATION

MCG-M-22-LF  
SERIES | LEADFREE  
22~30 AWG  
MALE TERMINAL

煜倫股份有限公司

www.morethanall.com

DESCRIPTION: