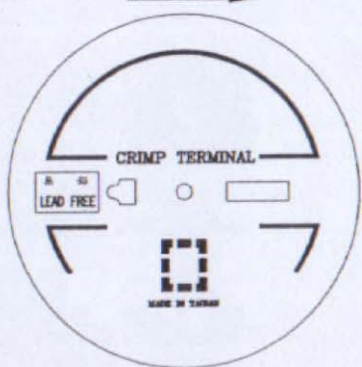
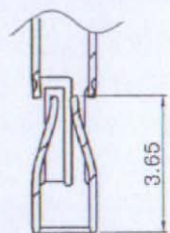


DRAW OUT DIRECTION

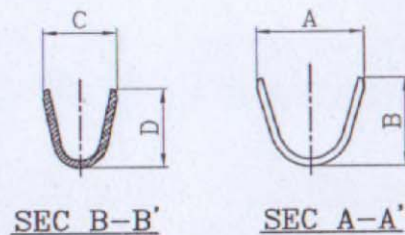
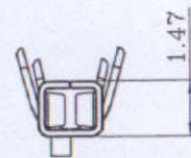
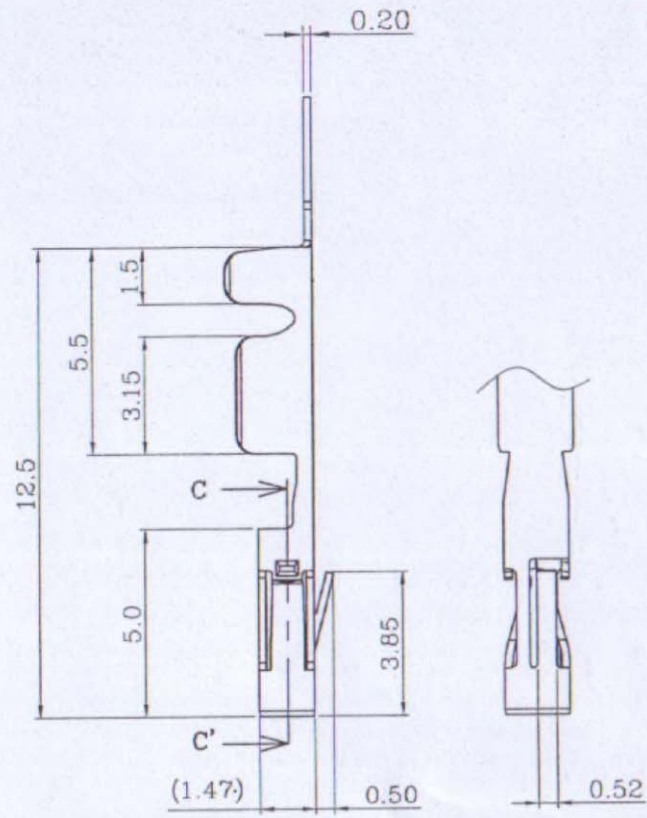
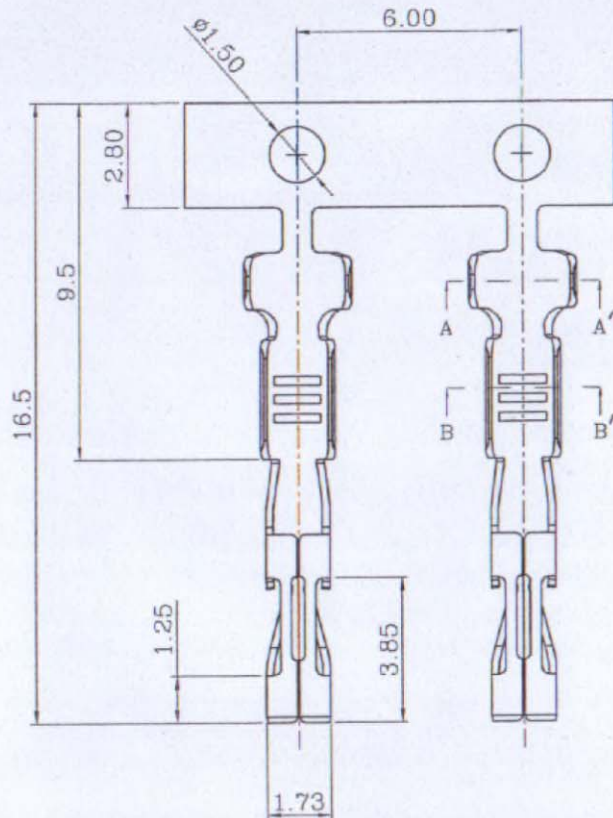
TO CRIMP DIE



PANEL PRINT FIG.



SEC C-C'



SEC B-B'

SEC A-A'

ORDER NO./DIMENSIONS

ORDER NO.	WIRE GAUGE	INSULATION DIAMETER	DIMENSION				REEL Q'TY
			A	B	C	D	
MCE-TG-24	#24~#28	Ø1.6 MAX.	2.4	2.0	2.0	1.7	15,000 PCS
MCE-TG-18	#18~#22	Ø1.8 MAX.	2.9	2.3	2.1	2.1	15,000 PCS

RoHS Compliant

TOLERANCES ARE

MORETHANALL
PCB CONNECTORS
Cable ASSEMBLIES

煜倫股份有限公司

www.morethanall.com

DRAWING BY CY

CHECKED BY GENIUS

UNIT / mm
DATE

SCALE 1:1

SIZE A4

PJECTION

X. ± 0.50
X. ± 0.25
.XX ± 0.12
.XXX ± 0.08
ANG ± 3°

照片框

ORDER INFORMATION

MCE-TG-xx-LF
SERIES | LEADFREE
24:24-28 AWG
18:18-22 AWG
GOLD
TERMINAL

DESCRIPTION: