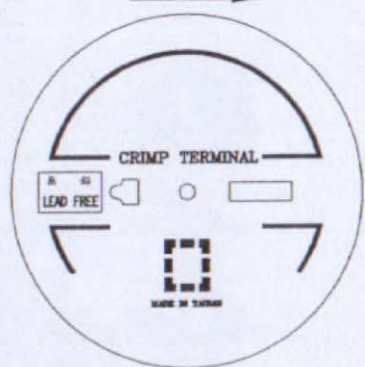
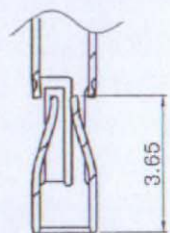


DRAW OUT DIRECTION

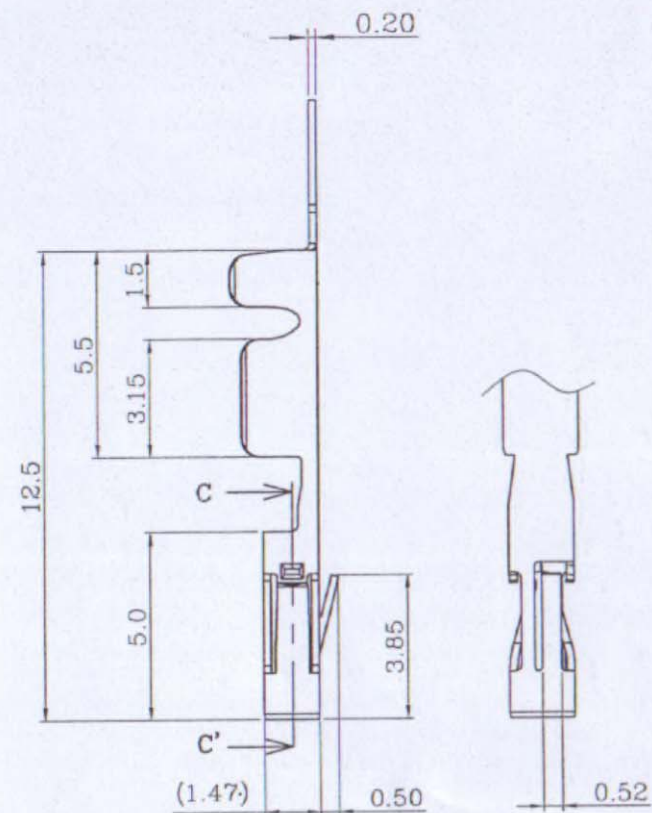
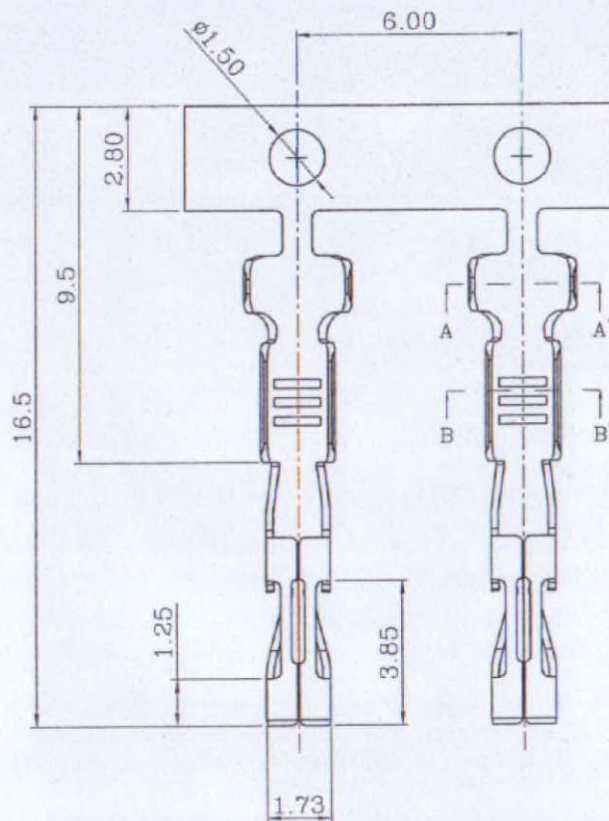
TO CRIMP DIE



PANEL PRINT FIG.

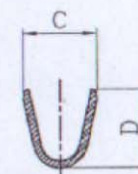
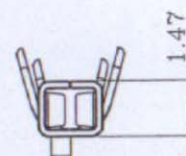


SEC C-C'

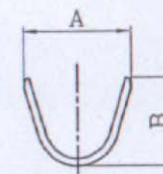


ORDER NO./DIMENSIONS

ORDER NO.	WIRE GAUGE	INSULATION DIAMETER	DIMENSION				REEL Q'TY
			A	B	C	D	
MCE-T-24	#24~#28	$\phi 1.6$ MAX.	2.4	2.0	2.0	1.7	15,000 PCS
MCE-T-18	#18~#22	$\phi 1.8$ MAX.	2.9	2.3	2.1	2.1	15,000 PCS



SEC B-B'



SEC A-A'

RoHS Compliant

TOLERANCES ARE

**MORETHANALL**  
PCB CONNECTORS  
Cable ASSEMBLIES

煜倫股份有限公司

www.morethanall.com

DRAWING BY CY

CHECKED BY GENIUS

UNIT / mm  
DATE

SCALE 1:1

SIZE A4

PJECTION

X.  $\pm 0.50$   
X.  $\pm 0.25$   
.XX  $\pm 0.12$   
.XXX  $\pm 0.08$   
ANG  $\pm 3^\circ$

照片框

ORDER INFORMATION

MCE-T-xx-LF  
SERIES | LEADFREE  
24:24~28 AWG  
18:18~22 AWG  
TERMINAL

DESCRIPTION: