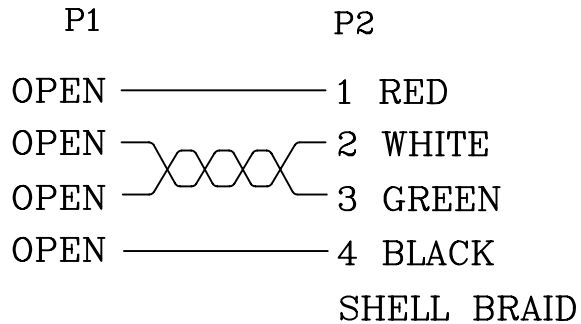


WIRING DIAGRAM



MBX1-5B1C-M5M03-LF

LEADFREE

RoHS Compliant

4	PVC	10	G	#WHITE 45P PVC
3	CONN.P2	1	SET	MINI USB 5P B TYPE MALE G/F BK(超薄)
2	CONN.P1	1	SET	USB A TYPE MALE G/F WHITE
1	CABLE	2440	mm	UL2725 28AWG*1P+28AWG*2C+AEB(4/16) OD:3.5±0.15mm #BLACK (VENDER FOR UL2725 USB1.1 APPROVED)
NO.	PART NO.	Q'TY	UNITS	DESCRIPTION



PART NO. MBX1-5B1C-M5M03

DWG NO. MBX1-5B1C-M5M03

FILE NO.

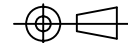
UNIT / mm

SCALE 1:1

CHECKED BY CY

DRAWING BY

PROJECTION



TOLERANCES ARE

.X ± 0.2

.XX ±

.XXX ±

AWG

DESCRIPTION:

MINI USB 5P M TO OPEN L:16.5FT BLACK

AREA

REVISIONS

HK

DATE

煜倫股份有限公司