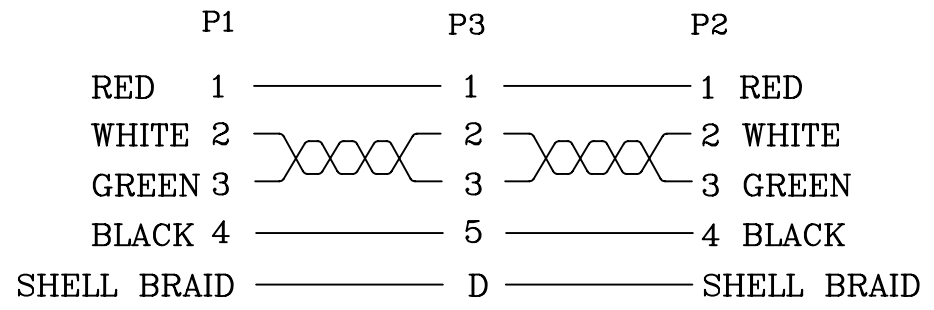


MBUBX12-5B4A-M1M-LF  
LEADFREE

WIRING DIAGRAM



RoHS Compliant

| NO. | PART NO. | Q'TY | UNITS | DESCRIPTION   |
|-----|----------|------|-------|---|
| 4   | PVC      | 20   | G     | #WHITE 45P PVC  |
| 3   | CONN.P2  | 1    | SET   | MINI USB 5P B TYPE MALE G/F BK(超薄)  |
| 2   | CONN.P1  | 2    | SET   | USB A TYPE MALE G/F WHITE   |
| 1   | CABLE    | 2000 | mm    | UL2725 28AWG*1P+28AWG*2C+AEB(4/16)<br>OD:3.5±0.15mm #WHITE<br>(VENDER FOR UL2725 USB1.1 APPROVED) |

**MORETHANALL**  
CONNECTORS  
ASSEMBLIES

PART NO. MBUBX12-5B4A-M1M

DWG NO. MBUBX12-5B4A-M1M

FILE NO.

CHECKED BY CY

DRAWING BY

TOLERANCES ARE  
.X ± 0.2  
.XX ±  
.XXX ±  
AWG

DESCRIPTION: MINI USB 5P M/USB A M\*2 L:1M BLACK

焯倫股份有限公司

UNIT / mm

SCALE 1:1

PROJECTION

AREA

REVISIONS

HK

DATE