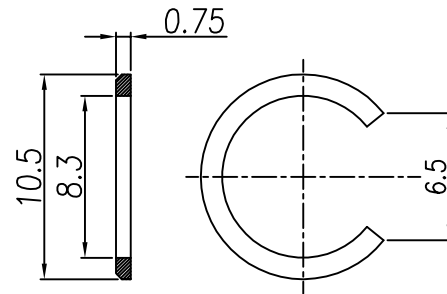
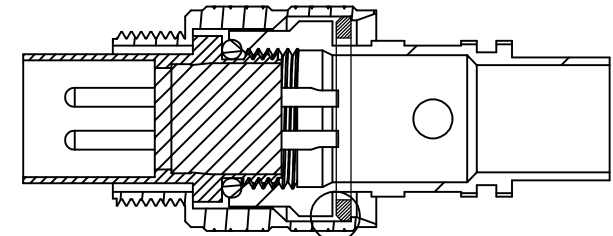


HOUSING & SHELL & CONTACT

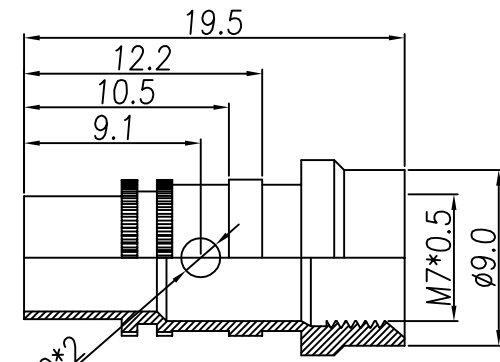


SPRING



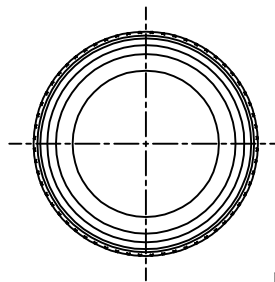
ASS'Y

將不鏽鋼環穿入到這個位置  
(倒角朝對插口面)

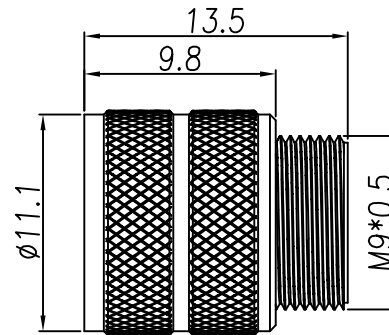


SHELL 2

TABLE A/表A



NUT



- MATERIAL :
  - 1-1. HOUSING : PA UL94V-0 ; COLOR : BLACK
  - 1-2. CONTACT : BRASS.
  - 1-3. NUT : BRASS.
  - 1-4. SHELL : BRASS.
  - 1-5. SHELL 2 : BRASS.
  - 1-6. SPRING : STAINLESS STEEL.
  - 1-7. O-RING : EPDM ; COLOR : BLACK.
- FINISH :
  - 2-1. CONTACT : GOLD FLASH
  - 2-2. NUT : NICKEL PLATED OVER ALL
  - 2-3. SHELL : NICKEL PLATED OVER ALL
  - 2-4. SHELL 2: NICKEL PLATED OVER ALL
- ELECTRICAL SPECIFICATION :
  - 3-1. Rated current(40°C) : 2~3P 4A; 4~5P 3A; 7~8P 1A
  - 3-2. Rated voltage : 125V
  - 3-3. Water proof : IP67
- Environmental :
  - 4-1. Operation Temperature : -25°C~70°C

M9-PS-02	M9-PS-03	M9-PS-04	M9-PS-05	M9-PS-07	M9-PS-08

RoHS Compliant

TOLERANCES ARE

**MORETHANALL**  
PCB CONNECTORS  
Cable ASSEMBLIES

煜倫股份有限公司

www.morethanall.com

DRAWING BY CY

CHECKED BY GENIUS

UNIT / mm SCALE 1 : 1

DATE

SIZE A4

X, ±  
.X ± 0.20  
.XX ± 0.10  
.XXX ± 0.05  
ANG ± 1°

PJECTION

照片框

ORDER INFORMATION

M9-PS-xx-LF  
SERIES | LEADFREE  
| 02-08 WAY  
| SOLDER  
MALE

DESCRIPTION: M9 (M) 線端成型式 (接地銅管)