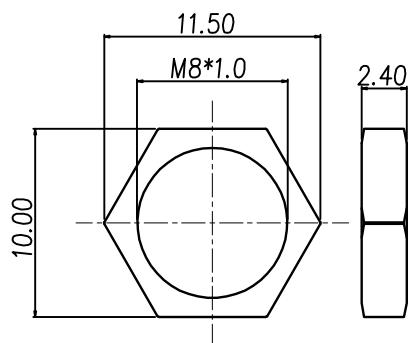


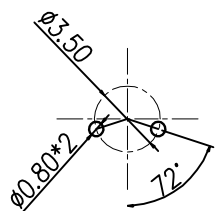
RECOMMEND PANEL CUT-OUT

TABLE A

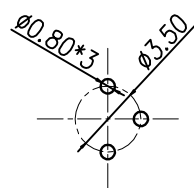
2PIN	3PIN	4PIN
M8-PDPBNO-02	M8-PDPBNO-03	M8-PDPBNO-04



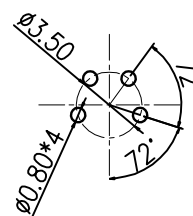
NUT



2 PIN



3 PIN



4 PIN

RECOMMEND PCB LAYOUT

- MATERIAL :
 - HOUSING : PBT ; COLOR : BLACK
 - CONTACT : BRASS
 - SHELL : BRASS
 - O-RING : NBR ; COLOR : BLACK
 - NUT : BRASS
- FINISH :
 - CONTACT : GOLD FLASH MICRO INCHES MIN.
 - SHELL : NICKEL PLATED.
 - NUT : NICKEL PLATED.
- ELECTRICAL SPECIFICATION :
 - Rated current : 5A
 - Rated voltage : 125V
 - Water proof : IP67
- Environmental :
 - Operation Temperature : -20℃~85℃

RoHS Compliant

TOLERANCES ARE

MORETHANALL
PCB CONNECTORS
Cable ASSEMBLIES
煜倫股份有限公司

DRAWING BY CY

CHECKED BY GENIUS

UNIT / mm

SCALE 1 : 1

DATE

SIZE A4

X, ±
.X ± 0.20
.XX ± 0.10
.XXX ± 0.05
ANG ± 1°

PPOJECTION

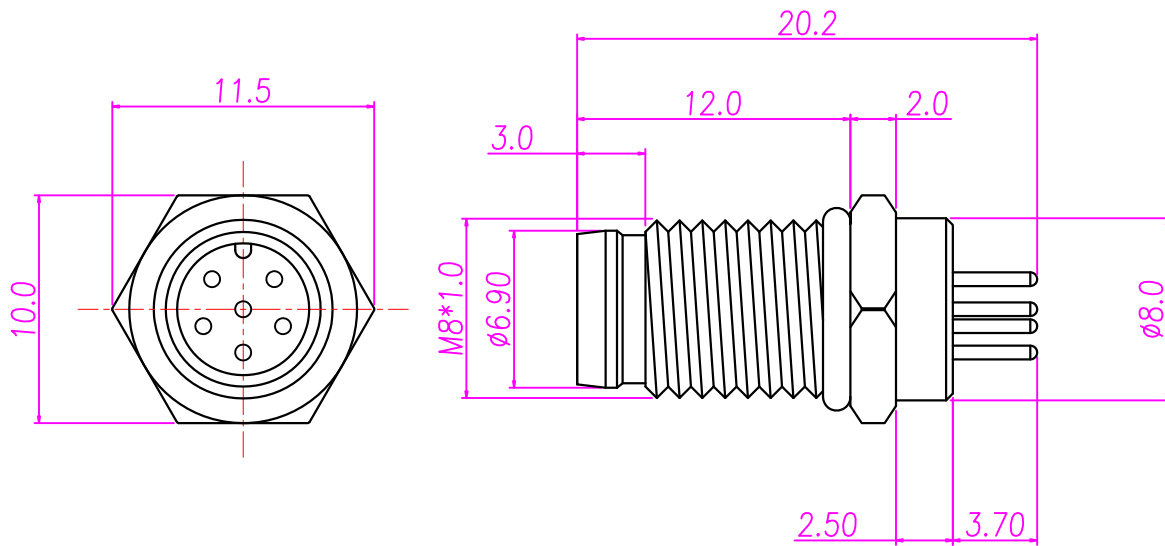
照片框

ORDER INFORMATION

M8-PDPBNO-xx-LF
SERIES | LEADFREE
MALE | RING | 02.03.04.05.06 WAY
DIP 180° | NUT | BACK | PANEL

DESCRIPTION: 防水頭 (M) 前鑲板 M8*1.0 插板式

www.morethanall.com



1. MATERIAL :
 - 1-1. HOUSING : PA ; COLOR : BLACK
 - 1-2. CONTACT : BRASS.
 - 1-3. SHELL : BRASS
 - 1-4. O-RING : NBR ; COLOR : BLACK
 - 1-5. NUT : BRASS.
2. FINISH :
 - 2-1. CONTACT : GOLD 10 MICRO INCHES MIN.
 - 2-2. SHELL : NICKEL PLATED.
 - 2-3. NUT : NICKEL PLATED.
3. ELECTRICAL SPECIFICATION :
 - 3-1. Rated current : 1A
 - 3-2. Rated Voltage : 60V
 - 3-3. Water proof : IP67
4. Environmental :
 - 4-1. Operation Temperature : -40°C~105°C

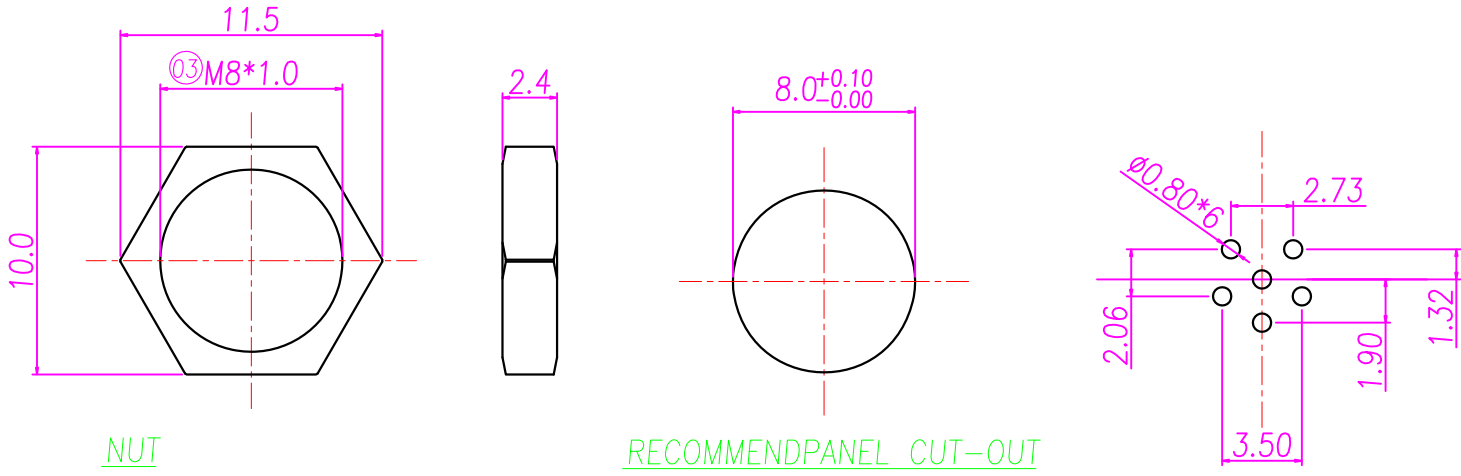


TABLE A

M8-PDPBNO-06	M8-PDPBNO-05

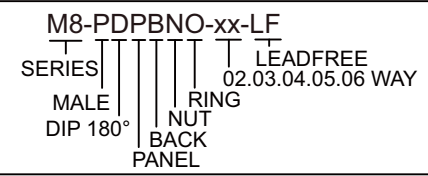
RoHS Compliant

MORETHANALL
PCB CONNECTORS
Cable ASSEMBLIES
煜倫股份有限公司
www.morethanall.com

DRAWING BY CY		TOLERANCES ARE X, ± .X ± 0.20 .XX ± 0.10 .XXX ± 0.05 ANG ± 1°
CHECKED BY GENIUS		
UNIT / mm	SCALE 1 : 1	
DATE		
SIZE A4	PPOJECTION	

照片框

ORDER INFORMATION



DESCRIPTION: 防水頭 (M) 前鍍板 M8*1.0 插板式