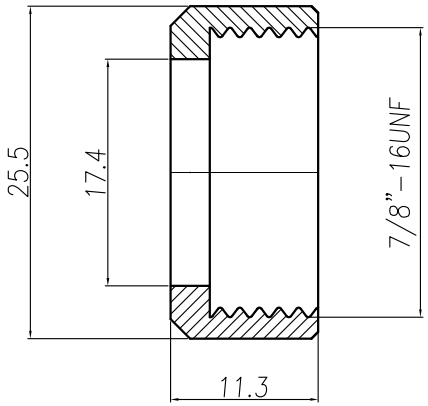


NUT



1. MATERIAL :
 - 1-1. HOUSING : PBT UL94V-0 ; COLOR : BLACK
 - 1-2. CONTACT : BRASS
 - 1-3. SHELL : BRASS
 - 1-4. NUT : BRASS
 - 1-5. Epoxy Base : EF400A&EF400B. COLOR : BLACK
 - 1-6. O-RING : NBR
2. FINISH :
 - 2-1. CONTACT : 30 MICRO INCHES MIN. GOLD PLATED
UNDER PLATE : NICKEL
 - 2-2. SHELL : MATTE TIN PLATED
 - 2-3. NUT : NICKEL PLATED
3. ELECTRICAL SPECIFICATION :
 - 3-1. Rated current : 20A
 - 3-2. Voltage :125V
 - 3-3. Water proof: IPX8
4. Environmental :
 - 4-1. Operation Temperature : -20 °C~85°C

M7S8-SS-03-LF
LEADFREE
RoHS Compliant

	PART NO. M7S8-SS-03		CHECKED BY CY	TOLERANCES ARE X. ± 0.25 .X ± 0.20 .XX ± 0.10 .XXX ± 0.03 ANGULA ± 1°	DESCRIPTION: 防水頭 7/8 3PIN(F)杯口線端	
	DWG NO. M7S8-SS-03					DRAWING BY
焯倫股份有限公司	FILE NO.		PROJECTION	AREA	REVISIONS	DATE
	UNIT / mm	SCALE 1:1				