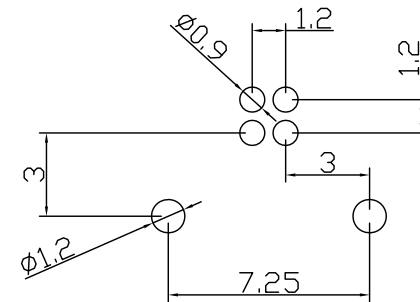
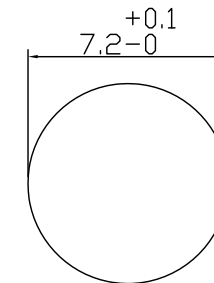
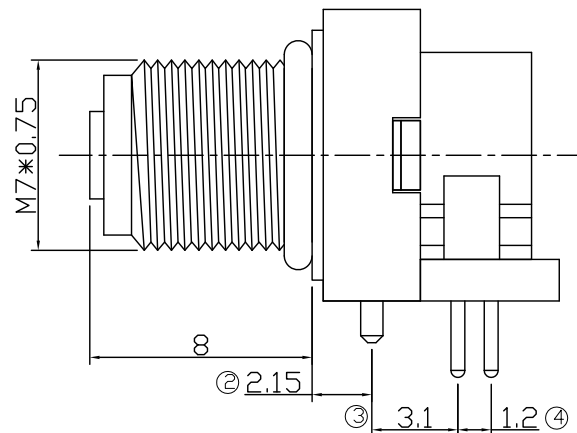
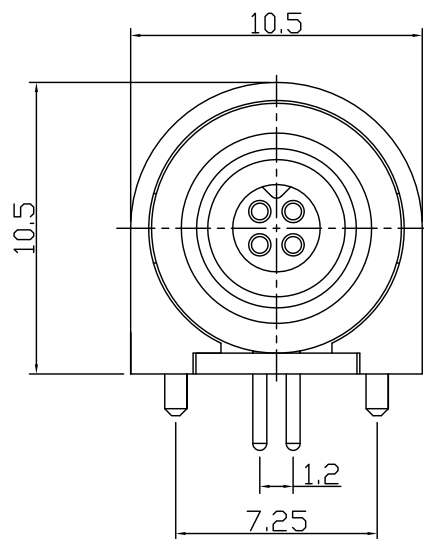


NUT



P.C.B LAYOUT



PANEL CUT-OUT

NOTE:

1. MATERIAL :
 - 1-1. HOUSING : PBT UL94V-0 ; COLOR : BLACK
 - 1-2. CONTACT : BRASS
 - 1-3. NUT : BRASS
 - 1-4. O-RING : NBR ; COLOR : BLACK
 - 1-5. BACK HOUSING : PBT UL94V-0 ; COLOR : BLACK
 - 1-6. DOWN HOUSING : PBT UL94V-0 ; COLOR : BLACK
2. FINISH :
 - 2-1. CONTACT : GOLD FLASH ON OVER ALL
UNDER PLATE : NICKEL
 - 2-2. SHELL : STAIN NICKEL 80u"~100u" ON OVER ALL

M7-SRPBN04-LF
LEADFREE

RoHS Compliant

MORETHANALL
CONNECTORS
ASSEMBLIES

PART NO. M7-SRPBN-04

DWG NO. M7-SRPBN-04

FILE NO.

CHECKED BY CY

DRAWING BY

TOLERANCES ARE

X ±
.X ± 0.20
.XX ± 0.10
.XXX ± 0.05
ANG ± 1°

DESCRIPTION:

4PIN(F) 90度板端

AREA

REVISIONS

DATE

煜倫股份有限公司

UNIT / mm

SCALE 1:1

PROJECTION

