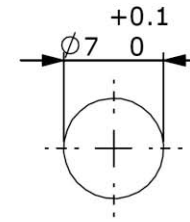
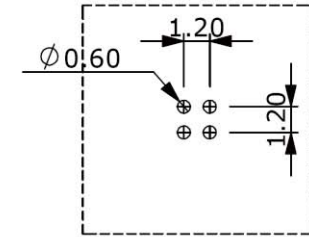


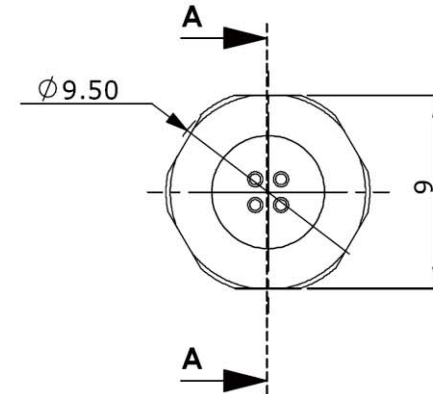
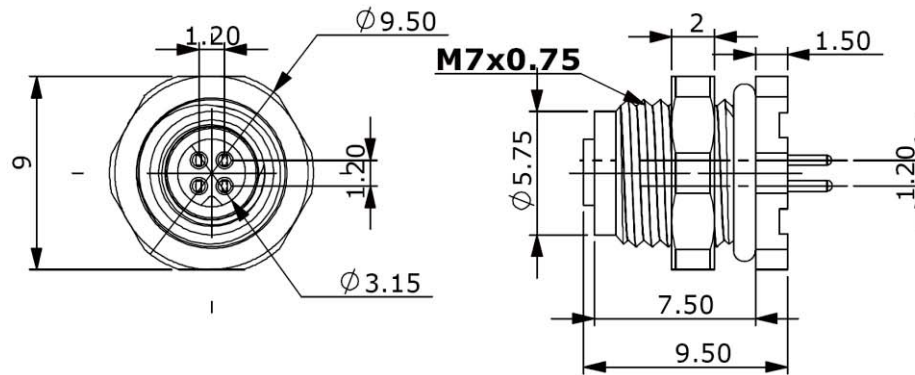
Section A-A



PANEL CUT-OUT



PCB LAYOUT



No.	Description	Material	Treat	Q'ty
1	Housing	PBT		1
2	Shield	Brass	Nickel Ptd.	1
3	O-Ring	NBR		1
4	Screw Nut	Brass	Nickel Ptd.	1
5	Terminals	Brass	Gokd Ptd.	4
6	Glue	Epoxy		1

RoHS Compliant

TOLERANCES ARE

**MORETHANALL**  
PCB CONNECTORS  
Cable ASSEMBLIES

煜倫股份有限公司

www.morethanall.com

DRAWING BY CY

CHECKED BY GENIUS

UNIT / mm SCALE 1:1

DATE

SIZE A4

X. ±  
.X ±  
.XX ±  
.XXX ±  
ANG ±

PJECTION

照片框

ORDER INFORMATION

M5-SDPB-04-LF  
SERIES LEADFREE  
04 WAY  
PANEL BACK  
DIP 180°  
FEMALE

DESCRIPTION: