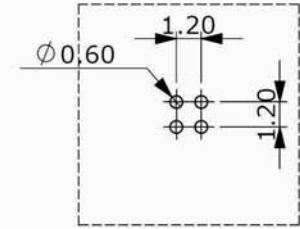
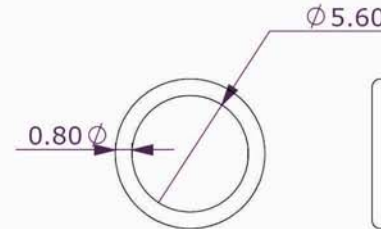
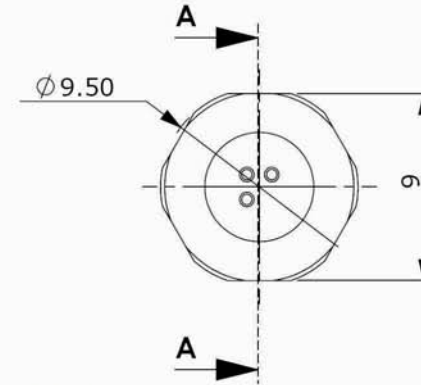
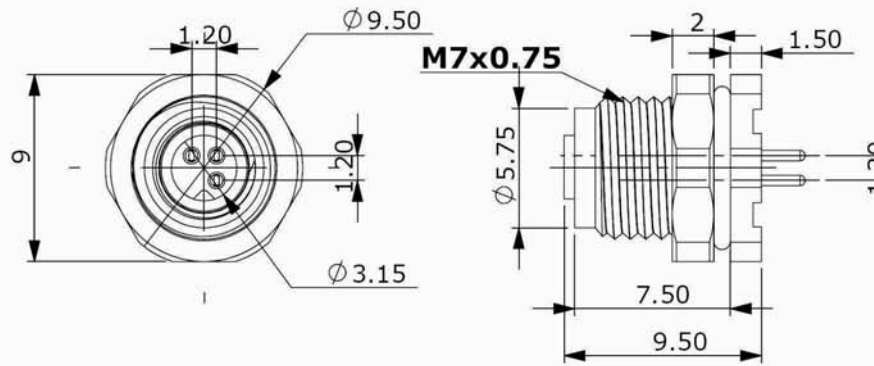


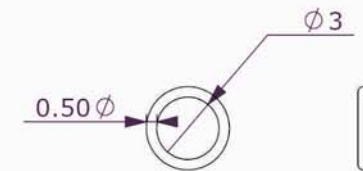
PANEL CUT-OUT



PCB LAYOUT



Outer O-Ring



Inner O-Ring

No.	Description	Material	Treat	Q'ty
1	Housing	PBT		1
2	Shield	Brass	Nickel Ptd.	1
3	Outer O-Ring	NBR	0.8 ϕ x5.6 ϕ	1
4	Screw Nut	Brass	Nickel Ptd.	1
5	Terminals	Brass	Gokd Ptd.	3
6	Glue	Epoxy		1
7	Inner O-Ring	NBR	0.5 ϕ x3.0 ϕ	1

RoHS Compliant

TOLERANCES ARE

MORETHANALL
PCB CONNECTORS
Cable ASSEMBLIES

煜倫股份有限公司

www.morethanall.com

DRAWING BY CY

CHECKED BY GENIUS

UNIT / mm SCALE 1 : 1

DATE

SIZE A4

X. \pm

.X \pm

.XX \pm

.XXX \pm

ANG \pm

PPOJECTION

照片框

ORDER INFORMATION

M5-SDPB-03-LF
SERIES | LEADFREE
03 WAY
PANEL BACK
DIP 180°
FEMALE

DESCRIPTION: