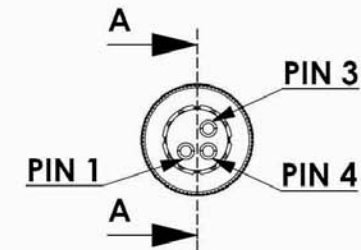
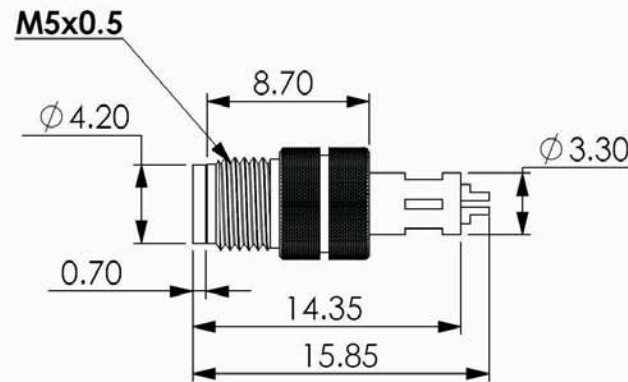
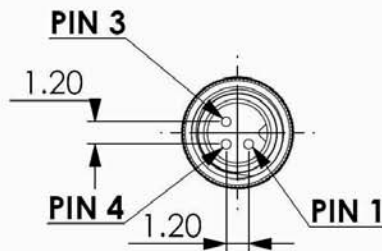


SECTION A-A



Specification :

Current : 1A
 Operating temperature : -20°C to 85°C
 Rated Voltage : 60V
 Rated Input Voltage : 800V
 IP67 Rated

No.	Description	Material	Treat	Q'ty
1	Housing	PUR		1
2	Screw Cap	Brass	Nickel Ptd.	1
3	Terminals	Brass	Gold Ptd.	3

RoHS Compliant

TOLERANCES ARE

MORETHANALL
 PCB CONNECTORS
 Cable ASSEMBLIES

煜倫股份有限公司

www.morethanall.com

DRAWING BY CY

CHECKED BY GENIUS

UNIT / mm SCALE 1 : 1

DATE

SIZE A4

X. ±

.X ±

.XX ±

.XXX ±

ANG ±

PPOJECTION

照片框

ORDER INFORMATION

M5-PS-03-LF
 SERIES | LEADFREE
 | 03 WAY
 | SOLDER
 | MALE

DESCRIPTION: