

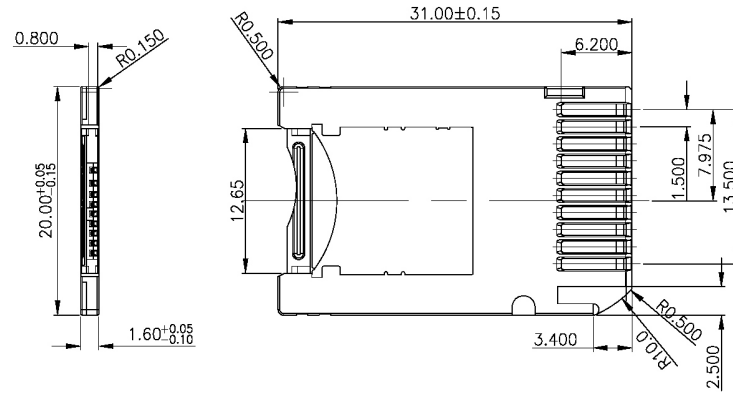
Specification

Material:
 Housing: Thermoplastic UL 94V-0
 Contacts: Phosphor Bronze
 Shell: Stainless Steel

Plating:
 Contacts: Plated 50 μ" Nickel Overall
 Plated Gold Selective Contact Area

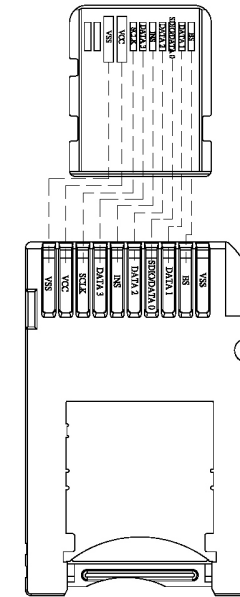
Specification:

- Current Rating :0.5mA max.
- Contact Resistance:100mΩ max
- Insulation Resistance:1000MΩ min./500VDC
- Dielectric Withstanding Voltage:500VAC/1minute
- Operating Temperature:-25°C to+85°C
- Mating Cycles:10,000 Insertions

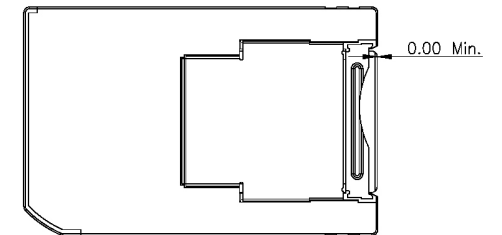


Part Name: M2 to MS Duo Adapter

PIN ASSIGNMENT:



M2 Card Insert Drawing:



M2MSD-AS-1110-LF
 LEADFREE

RoHS Compliant



PART NO. M2MSD-AS-1110

DWG NO. M2MSD-AS-1110

CHECKED BY CY

TOLERANCES ARE

DESCRIP TION:

煜倫股份有限公司

FILE NO.

DRAWING BY

.X ± 0.2

.XX ± 0.1

.XXX ±

AWG

AREA

REVISIONS

HK

DATE

UNIT / mm

SCALE 1:1

PROJECTION

