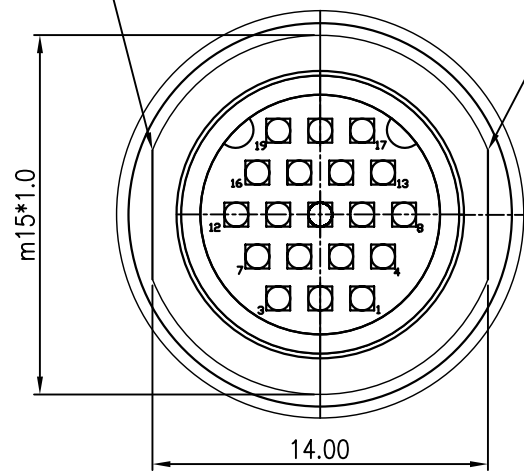
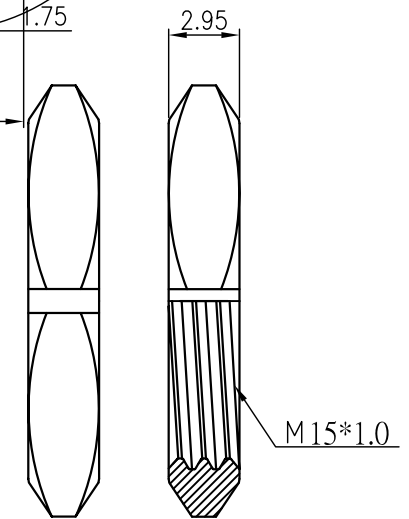
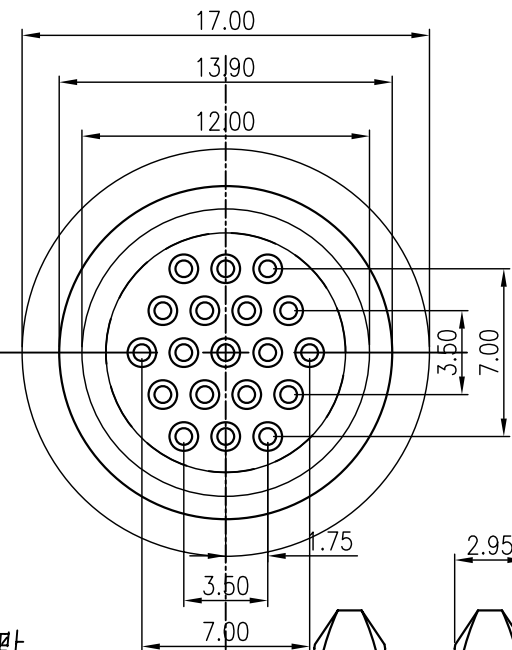
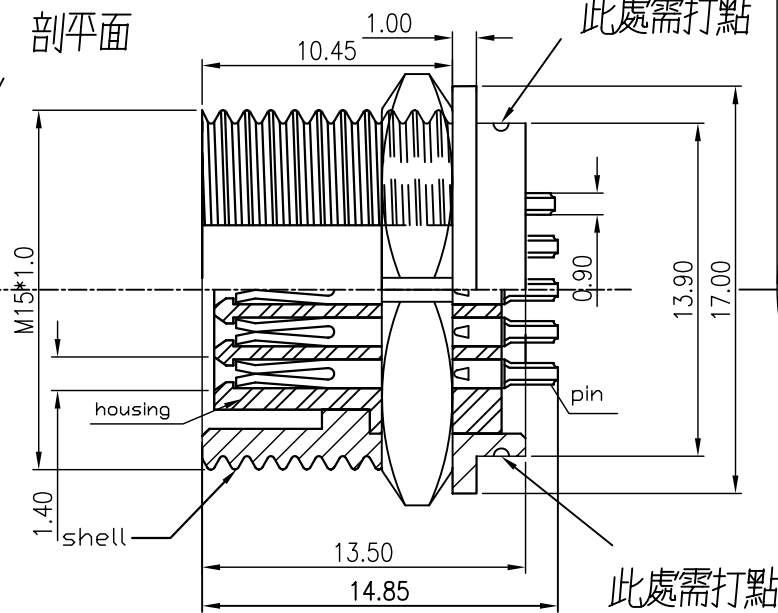


剖平面 (雙平面與12-8的孔位為垂直)



剖平面



備註

1. 材質/NOTE:

/MATERIAL:

1-1 端子/PIN 磷銅 /PHOSPHOR BRONZE

1-2 銅管/SHELL 黃銅/BRASS

1-3 膠芯/HOUSING

2. 電鍍/PLATING:

1-1 PIN 銀 30u"/SILVER 30u"

1-2 銅管/SHELL 鍍100u"/NICKEL 100u"

3. 電器特性

CURRENT: 3 A.

OPERATING TEMPERATURE: -25°C TO 85°C.

DIELECTRIC STRENGTH: 45V DC MIN.

商品合乎ROHS規範.

M15-SSPB-19-LF
LEADFREE

RoHS Compliant

MORETHANALL
CONNECTORS
ASSEMBLIES

PART NO. M15-SSPB-19

DWG NO. M15-SSPB-19

FILE NO.

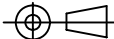
UNIT / mm

SCALE 1:1

CHECKED BY CY

DRAWING BY

PROJECTION



TOLERANCES ARE

.X ± 0.2

.XX ±

.XXX ±

AWG

DESCRIPTION:

AREA

REVISIONS

HK

DATE

焜倫股份有限公司