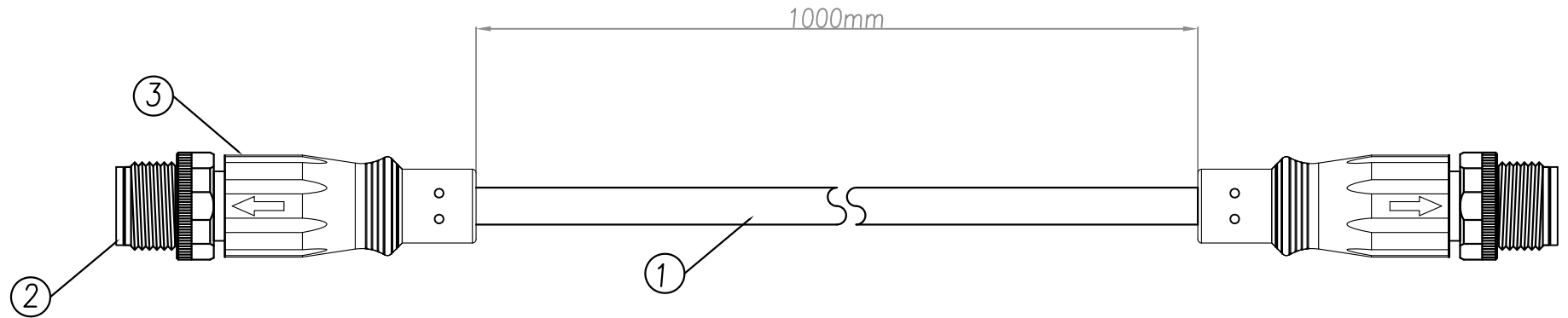


*Water proof : IP67

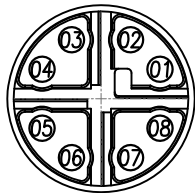


ELECTRICAL TEST:

<1>100% OPEN SHORT&MISS WIRE TEST

<2>CONTACT RESISTANCE : 2 ohm<MAX>.

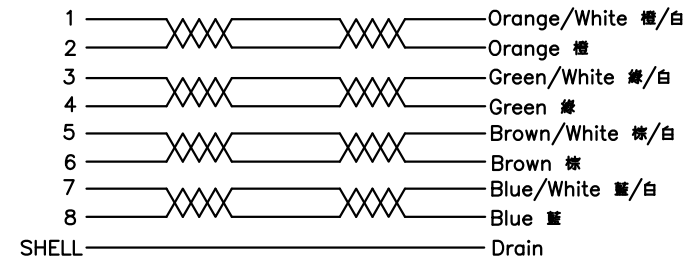
<3>INSULATION RESISTANCE:DC 200V 10ms 5M ohm(MIN).



CON 1
Pin Assignments
Front View

3	OVERMOLD : PU ; COLOR : BLACK.	1
2	M12 8P MALE X-CODE CABLE SOLD TYPE.	2
1	CAT 6a 26AWG x 4P	
ITEM	DESCRIPTION	Q'TY

X-CODE Wiring Diagram



RoHS Compliant

TOLERANCES ARE

MORETHANALL
PCB CONNECTORS
Cable ASSEMBLIES

煜倫股份有限公司

www.morethanall.com

DRAWING BY CY

CHECKED BY GENIUS

UNIT / mm

SCALE 1 : 1

DATE

SIZE A4

X. ±
.X ± 0.20
.XX ± 0.10
.XXX ± 0.05
ANG ± 1°

PJECTION

照片框

ORDER INFORMATION

M12X2-08X08X26C6A-Mxxx-LF

SERIES

08 TO 08 WAY

26 AWG

CAT 6A

LEADFREE

30C:30CM

1M:1000mm

2M:2000mm

MALE TO MALE

DESCRIPTION: M12 8PIN X-CODE CABLE ; L=1000