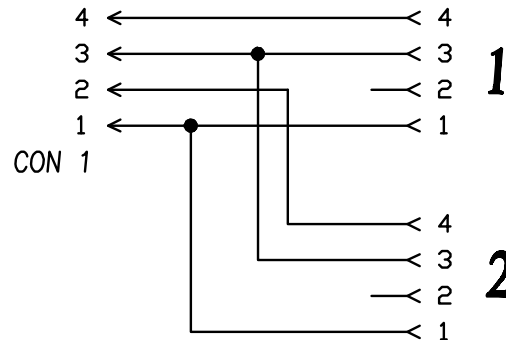
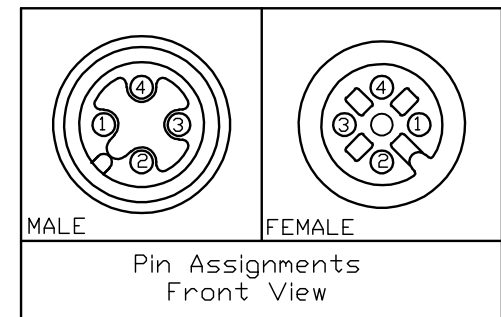


1. MATERIAL :
 - 1-1. HOUSING : PA66 COLOR : BLACK
 - 1-2. CONTACT : BRASS
 - 1-3. NUT : BRASS
 - 1-4. O-RING : EPDM ; COLOR : BLACK.
2. FINISH :
 - 2-1. CONTACT : GOLD PLATED
 - 2-2. NUT : NICKEL PLATED
3. ELECTRICAL SPECIFICATION :
 - 3-1. Rated current : 4A
 - 3-2. Rated Voltage : 250V
 - 3-3. Water proof : IP68
4. Environmental :
 - 4-1. Operation Temperature : -40°C~105°C



WIRING DIAGRAM



RoHS Compliant

TOLERANCES ARE

MORETHANALL
PCB CONNECTORS
Cable ASSEMBLIES

煜倫股份有限公司

www.morethanall.com

DRAWING BY CY

CHECKED BY GENIUS

UNIT / mm SCALE 1 : 1

DATE

SIZE A4

X, ±
.X ± 0.20
.XX ± 0.10
.XXX ± 0.05
ANG ± 1°

PPOJECTION

照片框

ORDER INFORMATION

M12X12-EMY-0404-LF

SERIES Y TYPE MOLDING MALE TO FEMALE
LEADFREE
04 TO 04 WAY

DESCRIPTION: 防水頭 M12 4PIN A-CODE 三向轉接頭