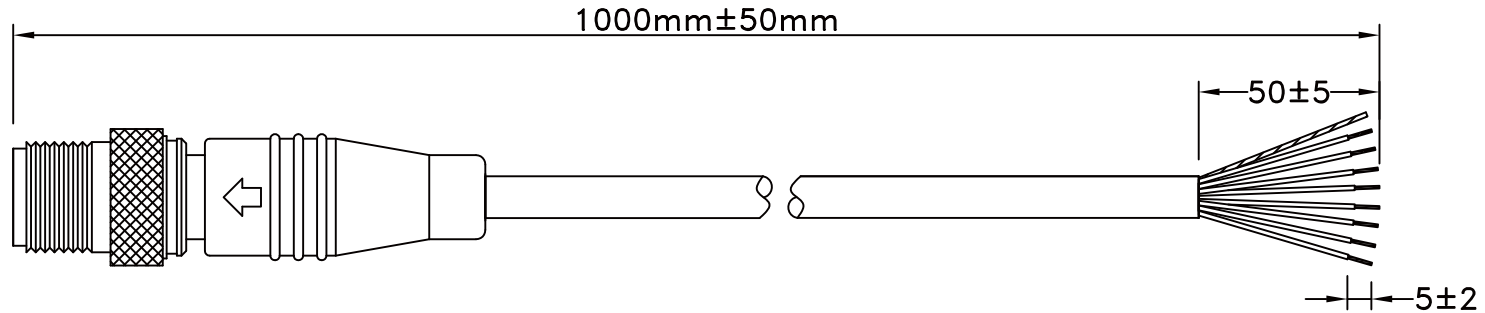


FRONT VIEW



M12-8PIN MALE  
MOLDED BLACK

\*\*\*CONSTRUCTION:

1.CABLE: \* NO UL(8C/24AWG)+T OD:5.0mm BLACK PVC JACKET.

\*\*\*CONNECTORS:

2.M12-8PIN: \* M12-8PIN MALE SOLDER TYPE.  
\* PIN: BRASS WITH GOLD PLATED.  
\* INSULATOR: BLACK NYLON 66 UL 94V-0 RATED.  
\* SHELL: BRASS WITH NICKEL PLATED.  
\* FERRULE: BRASS WITH NICKEL PLATED.  
\* MOLDED: PVC 45P BLACK COLOR.

3.TEST: \* CT: 2 Ohm. IS: 5M Ohm.

\* RATE CURRENT: 2A RATE VOLTAGE: MAX.30V

4.PACKING: \* PACK EACH CABLE IN A POLY BAG.

5.MATERIAL: \* MATERIAL WITH RoHS GRADE.

PIN OUT

M12-8M	COLOR	FUNCTION
1	BROWN	NC
2	WHITE	NC
3	YELLOW	NC
4	RED	NC
5	GREEN	NC
6	ORANGE	NC
7	BLACK	NC
8	BLUE	NC
SHELL	DRAIN	NC

RoHS Compliant

TOLERANCES ARE

**MORETHANALL**  
PCB CONNECTORS  
Cable ASSEMBLIES

煜倫股份有限公司

www.morethanall.com

DRAWING BY CY

CHECKED BY GENIUS

UNIT / mm SCALE 1 : 1

DATE

SIZE A4

X, ±  
.X ±  
.XX ±  
.XXX ±  
ANG ±

PJECTION

照片框

ORDER INFORMATION

M12X1-080024BK-M1M-LF  
SERIES | 08 WAY | 24 AWG | BLACK | MALE | LEADFREE 1000mm

DESCRIPTION: