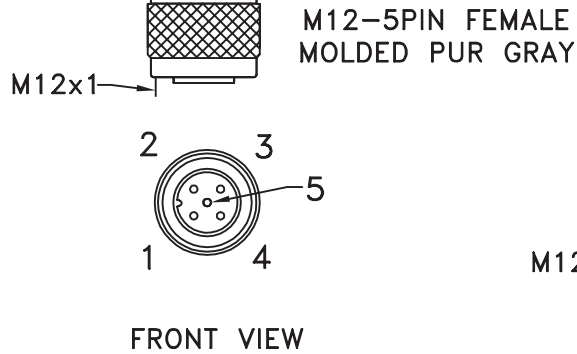
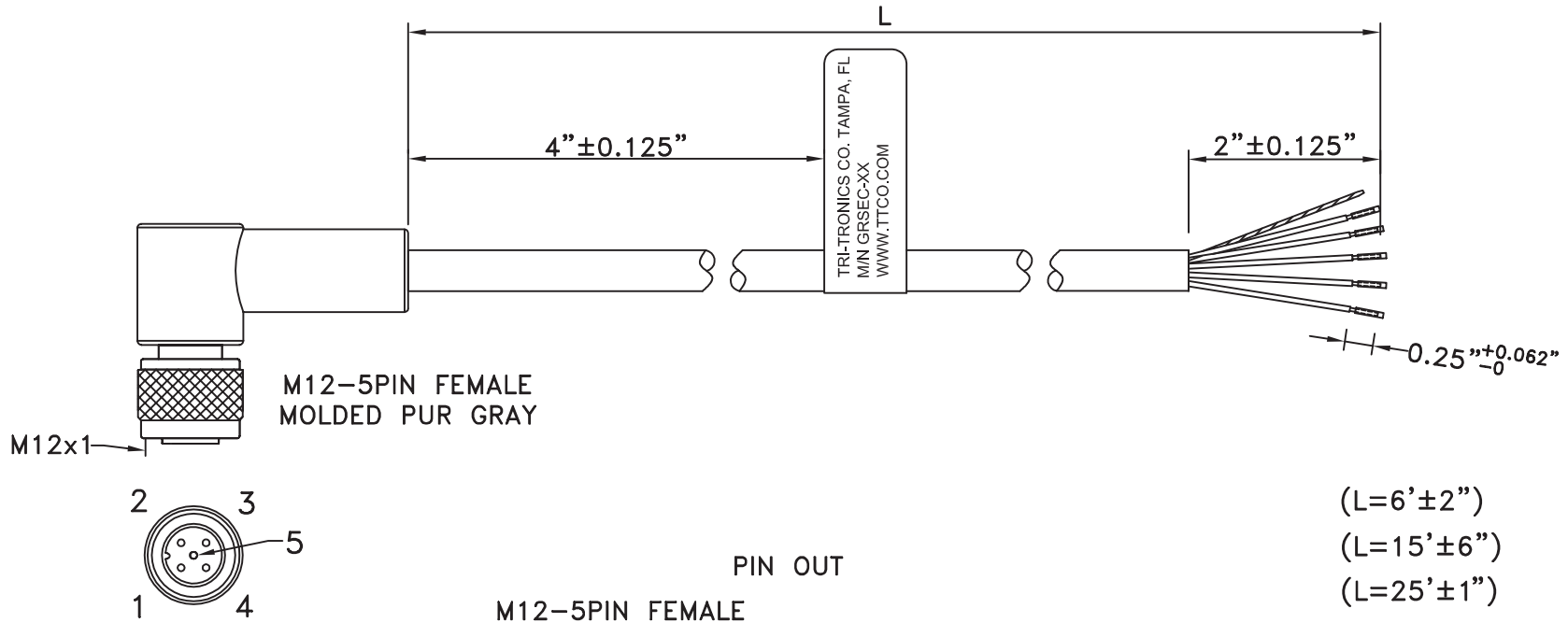


M12-5PIN FEMALE TO OPEN (GRAY PVC JACKET)



PIN OUT

M12-5PIN FEMALE

1	BROWN	NC
2	WHITE	NC
3	BLUE	NC
4	BLACK	NC
5	GRAY	NC
COUPLING NUT	DRAIN WIRE	NC

(L=6'±2")
(L=15'±6")
(L=25'±1")

M12X1-05R0024GE-Fxxx

6F:6FEET
15F:15FEET
25F:25FEET

RoHS Compliant

MORETHANALL
CONNECTORS
ASSEMBLIES

PART NO. M12X1-05R0024GE-Fxxx

DWG NO. M12X1-05R0024GE-Fxxx

FILE NO.

CHECKED BY CY

DRAWING BY

TOLERANCES ARE

.X ± 0.2
.XX ±
.XXX ±
AWG

DESCRIPTION:

煜倫股份有限公司

UNIT / mm

SCALE 1:1

PROJECTION



AREA

REVISIONS

HK

DATE

M12-5PIN FEMALE TO OPEN (GRAY PVC JACKET)

*****CONSTRUCTION:**

1.CABLE: * UL2464 (5C/24#)+(ALUMINUM-MYLAR FOIL+24# DRAIN WIRE)
OD:5.2mm GRAY PVC JACKET.

*****CONNECTORS:**

2.M12-5PIN: * M12-5PIN FEMALE SOLDER TYPE.
* PIN: BRASS WITH GOLD PLATED.
* INSULATOR: BLACK NYLON 66 UL 94V-0 RATED.
* COUPLING NUT: M12x1 BRASS WITH NICKEL PLATED.
* O-RING: SILICONE RUBBER RED COLOR.
* FERRULE: BRASS WITH NICKEL PLATED.
* MOLDED: PUR GRAY COLOR.

3.LABEL: * PRINT: "TRI-TRONICS CO. TAMPA, FL M/N GRSEC-XX WWW.TTCO.COM"
4.TEST: * CT: 2 Ohm. IS: 5M Ohm.
5.ELECTRICAL: * CURRENT RATING: 2A VOLTAGE RATING: 250V
6.MECHANICAL: * TEMPERATURE: -25°C TO 80°C PROTECTION: IP 68, NEMA 6P
7.PACKING: * PACK EACH CABLE IN A POLY BAG.
8.MATERIAL: * MATERIAL WITH RoHS GRADE.
9.MARKINGS: (1). CABLE TO BE PERMANENTLY MARKED WITH THE FOLLOWING INFORMATION
(THIS SET OF INFORMATION IS TO REPEAT ITSELF THROUGHOUT THE ENTIRE
LENGTH OF THE CORDSET WITH APPX. 6" OF SPACE BETWEEN EACH SET):
UL CERT. INFORMATION (AWM STYLE, UL FILE NO., CABLE RATINGS,ETC.);
CSA CERT. INFORMATION (AWM STYLE, CSA FILE NO., CABLE RATINGS,ETC.)
(2). NO O.E.M. MARKINGS ARE PERMITTED ON THE CABLE OR CONNECTOR
(3). ID LABEL MAY EITHER BE FLAGGED (AS ILLUSTRATED) OR WRAP AROUND



PART NO. M12X1-05R0024GE-Fxxx		CHECKED BY CY		TOLERANCES ARE .X ± 0.2 .XX ± .XXX ± AWG	DESCRIPTION:	AREA	REVISIONS	HK	DATE
DWG NO. M12X1-05R0024GE-Fxxx		DRAWING BY							
FILE NO.		PROJECTION							
UNIT / mm	SCALE 1:1								

煜倫股份有限公司