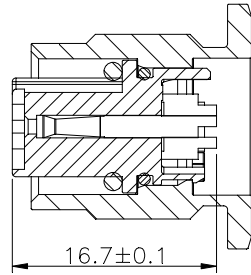
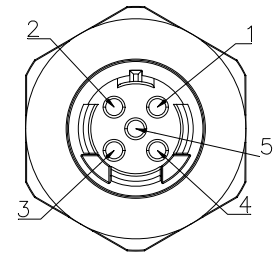
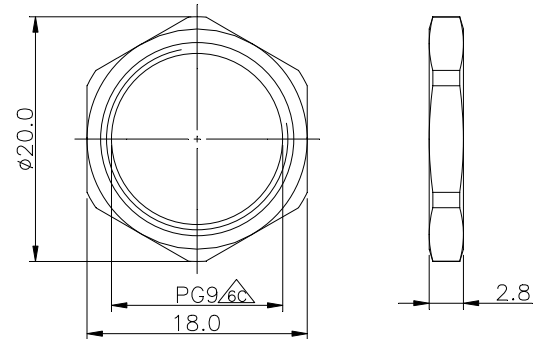


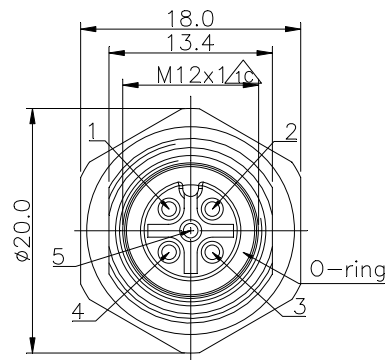
Panel Cut-out  
Thickness : 7.5mm Max.



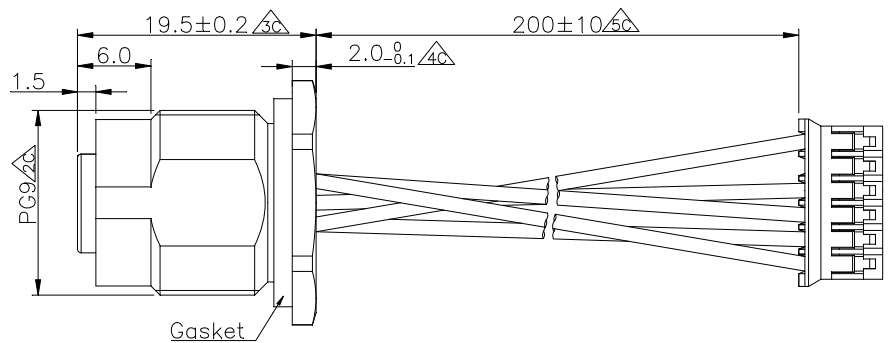
Pin針鉚壓深度



銲接面



P1



P2

Note:

- Rated Current : 4A.
  - Rated Voltage : 60V a.c or d.c
  - Cable : UL 1007 24AWG\*5C,PVC Jacket.
  - Waterproof : IP68,Mated.
  - Nut Torque : 12~14kgf-cm(117~137cN.m)
- P2
- Housing : JST PHR-6,PH=2mm.Color: White.
  - Terminal : JST SPH-002T-P0.5S.
  - Rated Current : 2A(24AWG)

Screw Nut	SUS 316		1
O-ring	FKM(Black)		1
Gasket	EPDM(Black)		1
Terminals	Phos. Bronze	Gold Ptd.	5
Plastic Shell	PA(Black)		1
Housing	PA(Black)		1
Description	Material	Treat	Q'ty

P1	Wire Color		P2
1	Brown	棕	1
2	White	白	3
3	Blue	藍	2
4	Black	黑	4
5	Gray	灰	6

RoHS Compliant

TOLERANCES ARE

**MORETHANALL**  
PCB CONNECTORS  
Cable ASSEMBLIES

煜倫股份有限公司

www.morethanall.com

DRAWING BY CY

CHECKED BY GENIUS

UNIT / mm SCALE 1 : 1

DATE

SIZE A4

X. ± 0.50  
.X ± 0.38  
.XX ± 0.25  
.XXX ± 0.10  
ANG ± 3°

PPOJECTION

照片框

ORDER INFORMATION

M12X1-05BK0524W1PBNO-F20C

SERIES

05 WAY BLACK TO 05 WAY

WIRE  
24 AWG

200mm  
FEMALE TO FEMALE  
NUT+O-RING  
PANEL BACK

DESCRIPTION: M12盒端-5P帶端子(A-Code)