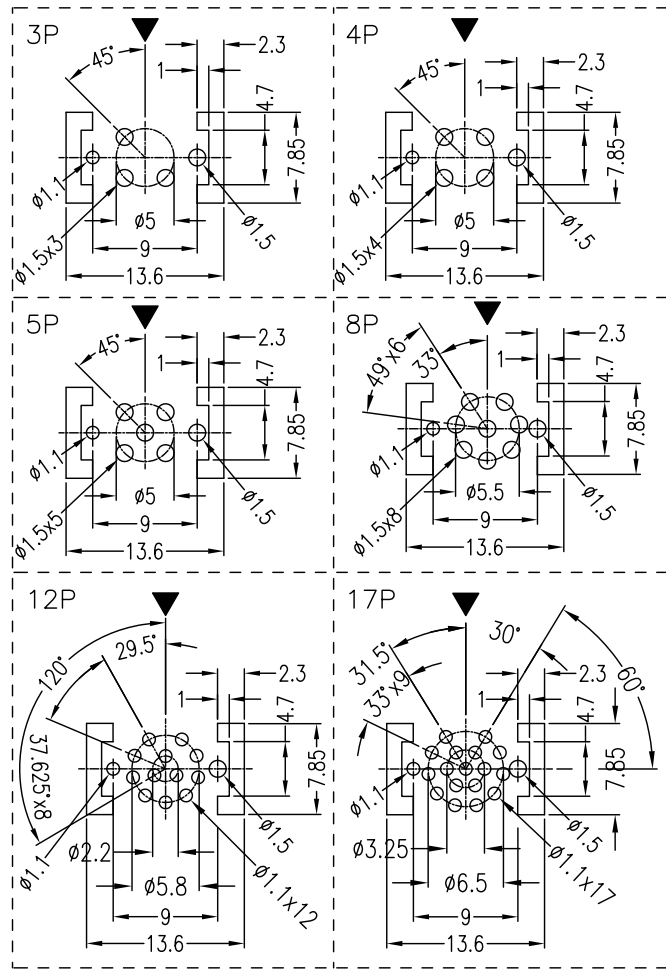
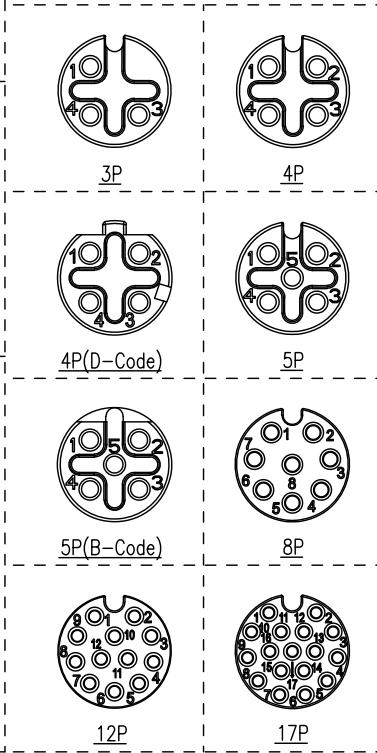
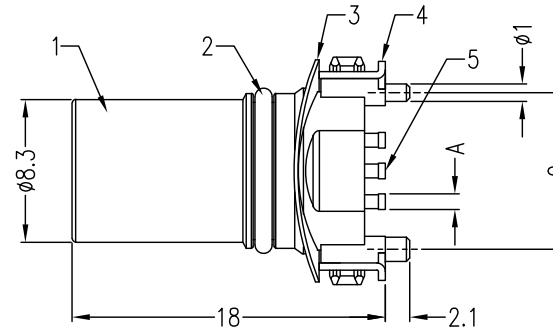
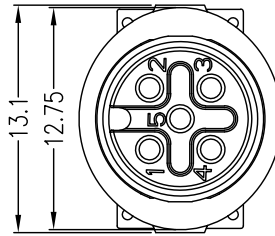


▼ : Key方向



Recommend PCB Layout



Pin Assignments Front View

Note:

- \* IP Grade: IP67
- \* Rated current:  
3~5Pin: 4A; 8Pin: 2A  
12~17Pin: 1.5A
- \* Rated voltage:  
3~4Pin: 250V; 5Pin: 60V  
8~17Pin: 30V

A	
3~8Pin	ø0.9mm
12~17Pin	ø0.7mm

5	M12 Male	Housing: LCP	1
4		O-Ring: Rubber	1
3		Washer: Steel,Nickel Plated	1
2		Fastener: Copper Alloy,Matte Tin Plated	1
1		Male Pin: Copper Alloy,Gold Plated	N
NO.	ITEM	SPEC	QTY

RoHS Compliant

TOLERANCES ARE

**MORETHANALL**  
PCB CONNECTORS  
Cable ASSEMBLIES

煜倫股份有限公司

www.morethanall.com

DRAWING BY CY

CHECKED BY GENIUS

UNIT / mm SCALE 1 : 1

DATE

SIZE A4

PJECTION

X, ±  
.X ±  
.XX ±  
.XXX ±  
ANG ±

照片框

ORDER INFORMATION

M12-SVEP2-xx-LF  
SERIES | LEADFREE  
03~17WAY  
04D:4WAY D CODE  
05B:5WAY B CODE  
FEMALE | EAR+POST  
180°SMT

DESCRIPTION: M12 FEMALE 貼片式