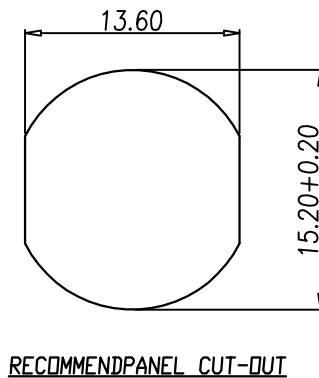
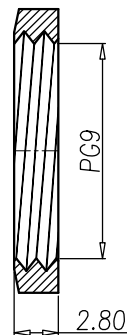
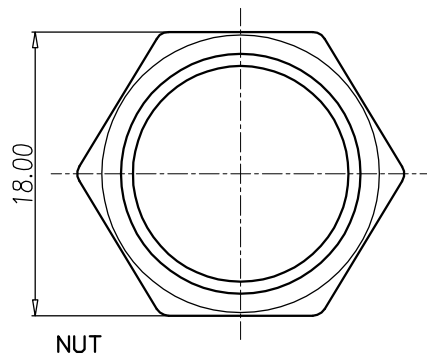
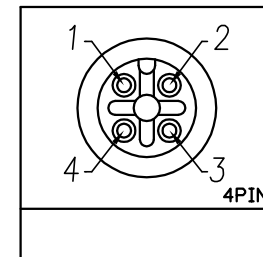


TABLE A



△ 1. MATERIAL :

- 1-1. HOUSING : PBT UL94V-0 ; COLOR : BLACK
- 1-2. CONTACT : BRASS
- 1-3. SHELL : BRASS
- 1-4. NUT : BRASS
- 1-5. O-RING A : EPDM ; COLOR : BLACK
- 1-6. O-RING B : SILICONE ; COLOR : GREEN.

2. FINISH :

- 2-1. CONTACT : GOLD FLASH.  
UNDER PLATE : NICKEL
- 2-2. SHELL : NICKEL PLATED.
- 2-2. NUT : NICKEL PLATED.

3. ELECTRICAL SPECIFICATION :

- 3-1. Rated current : 4A
- 3-2. Rated Voltage : 2~4PIN 250V ; 5PIN 60V
- 3-3. Water proof : IPX7

4. Environmental :

- 4-1. Operation Temperature :  $-40^{\circ}\text{C} \sim 105^{\circ}\text{C}$

RoHS Compliant

TOLERANCES ARE

**MORETHANALL**  
PCB CONNECTORS  
Cable ASSEMBLIES  
煜倫股份有限公司

DRAWING BY CY

CHECKED BY GENIUS

UNIT / mm SCALE 1 : 1

DATE

SIZE A4

X, ±  
.X ± 0.10  
.XX ± 0.05  
.XXX ± 0.03  
ANG ± 1°

PJECTION



ORDER INFORMATION

M12-SSPANO15-04-LF  
SERIES | | | | LEADFREE  
| | | | 04WAY  
| | | | 15.2 DIA  
FEMALE | | | |  
SOLDER | | | |  
RING | | | |  
NUT | | | |  
PANEL FRONT

DESCRIPTION: WP M12 (F) A-Code 板端後鎖PG9焊線式

www.morethanall.com