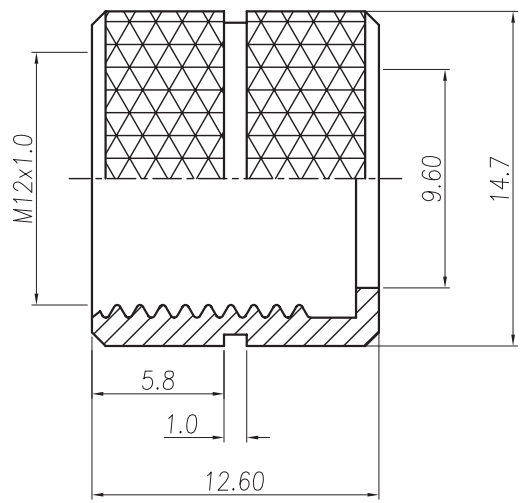
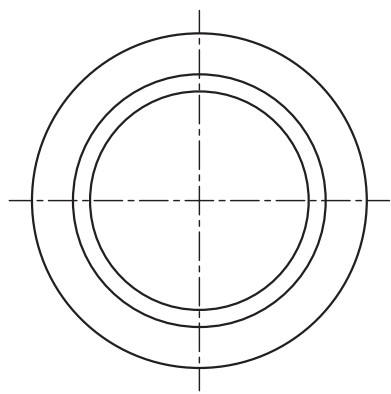


Assembly



1. MATERIAL :
 - 1-1. HOUSING : PBT UL94V-0 ; COLOR : BLACK
 - 1-2. CONTACT : BRASS
 - 1-3. NUT : BRASS
 - 1-4. O-RING : EPDM; COLOR : BLACK
2. FINISH :
 - 2-1. CONTACT A : 10 MICRO INCHES MIN. GOLD PLATED
UNDER PLATE : NICKEL
 - 2-2. NUT : NICKEL PLATED 60u" ~ 100u" OVER ALL
3. ELECTRICAL SPECIFICATION :
 - 3-1. Rated current : 5A
 - 3-2. Voltage : 125V
 - 3-3. Water proof: IPX7
4. Environmental :
 - 4-1. Operation Temperature : -40℃~85℃

M12-SSN12-05-LF
LEADFREE
RoHS Compliant



PART NO. M12-SSN12-05	CHECKED BY CY		TOLERANCES ARE .X ± 0.2 .XX ± .XXX ± AWG	DESCRIP TION: M12-5PIN(F)防水頭(牙距L=12.6)	AREA	REVISIONS	HK	DATE
	DWG NO. M12-SSN12-05	DRAWING BY						
FILE NO.	UNIT / mm	SCALE 1:1	PROJECTION					

煜倫股份有限公司