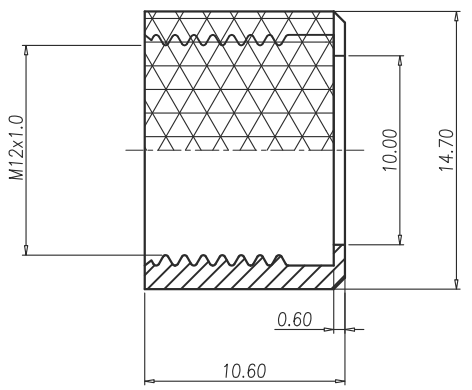


NUT



1. MATERIAL :
 - 1-1. HOUSING : PBT UL94V-0 ; COLOR : BLACK
 - 1-2. CONTACT : BRASS
 - 1-3. NUT : BRASS
 - 1-4. O-RING : EDPM
 - 1-5. SHELL : BRASS
 - 1-6. EPOXY Base :EF400A&EF400B.COLOR:BLACK
2. FINISH :
 - 2-1. CONTACT : 10 MICRO INCHES MIN. GOLD PLATED
UNDER PLATE : NICKEL
 - 2-2. NUT : NICKEL PLATED
 - 2-2. SHELL : BRIGHT TIN
3. ELECTRICAL SPECIFICATION :
 - 3-1. Rated current : 1A
 - 3-2. Rated Voltage : 30V
 - 3-3. Water proof: IPX7
4. Environmental :
 - 4-1. Operation Temperature : -40°C~85°C

M12-SS-17-LF
LEADFREE
RoHS Compliant

MORETHANALL
CONNECTORS
ASSEMBLIES

焯倫股份有限公司

PART NO. M12-SS-17		CHECKED BY CY	TOLERANCES ARE X, ± .X ± 0.20 .XX ± 0.10 .XXX ± 0.05 ANG ± 1°	DESCRIPTION: M12 17PIN (F) 焊線接地式	
DWG NO. M12-SS-17					
FILE NO.		DRAWING BY	AREA	REVISIONS	DATE
UNIT / mm	SCALE 1:1	PROJECTION			