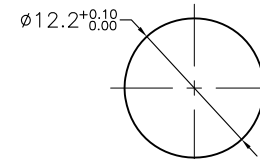
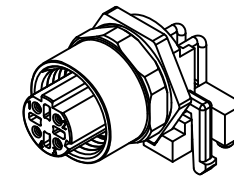
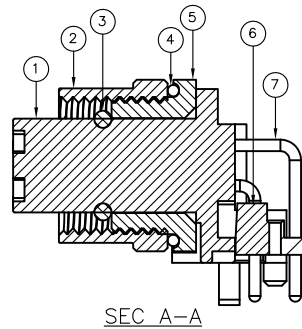
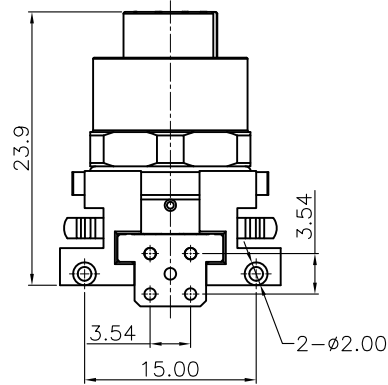
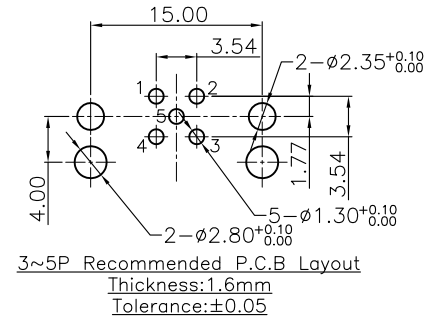


Specifications:
 Current Rating:4A AC/DC
 Voltage Rating:250V(3~4Pin);60V(5Pin)AC/DC
 Contact Resistance:5m ohm. Max.
 Insulation Resistance:100M ohm. Min.
 Withstanding Voltage:500V AC/Minute
 Operating Temperature Range:-25°C ~ +90°C
 Material and Finish
 Insulator:PA66(UL94V-0)
 Insulator Color:Black or Green
 Contact:Brass
 Mechanical Performance
 Insertion/Withdrawal Meet IEC 61076-2-101 Requirements.
 Durability:500 Cycles Min.
 IP Rating:IP67 in locked condition

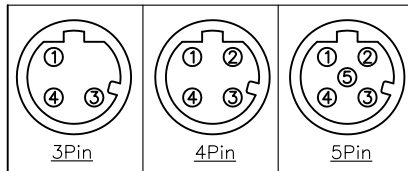


Recommended Panel Cut-out
 Thickness:2~3mm



3~5P Recommended P.C.B Layout
 Thickness:1.6mm
 Tolerance:±0.05

Pin Assignments Front View



Item	Description	Material	Remark	Q'TY
1	Insulator	PA66	Black	1
2	Shell	Brass	Nickel Plated	1
3	Seal ring	Silicone	Black	1
4	Seal ring	Silicone	Black	1
5	Shell	Brass	Nickel Plated	1
6	Cover	PA66	Black	1
7	Terminal	Brass	Gold Plated 3u"	3~5

RoHS Compliant

TOLERANCES ARE

MORETHANALL
 PCB CONNECTORS
 Cable ASSEMBLIES

煜倫股份有限公司

www.morethanall.com

DRAWING BY CY

CHECKED BY GENIUS

UNIT / mm SCALE 1 : 1

DATE

SIZE A4

X, ±
 .X ± 0.20
 .XX ± 0.15
 .XXX ±
 ANG ±

P PROJECTION

照片框

ORDER INFORMATION

M12-SRPBONLP-xxD-LF
 SERIES LEADFREE
 03-05 WAY/D CODE
 LOCK+POST
 FEMALE NUT
 DIP 90° O-RING
 PANEL BACK

DESCRIPTION: M12 D CODE SOCKET RIGHT ANGLE TYPE